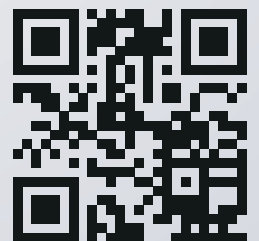


# A Series Remote Modules

Catalogue • 2023. 03



WIFI/ETHERNET/RS-485 Remote Modules

**eAutomation Solution**

 Yottacontrol Co.

# Remote Modules

## WIFI Analog I/O Remote Modules

### A-12x Series/A-3290



1

#### OVERVIEW

- ※ Analog Input 16-bit Resolution ,Burn-out Detection
- ※ Analog Output 12-bit Resolution
- ※ Support Analog Input/Output 0/4 ~20mA or 0~10V
- ※ Support PT-100 Or PT-1000 (2/3/4-wired)
- ※ Support J, K, T, E, R, S, B Thermocouple
- ※ Support 10K/6.8K/4.7K/3.3K/2.7K/2.252K/2.1K/2K/1.5K/1K Thermistor
- ※ WIFI Interface + RS-485 Interface + USB Interface
- ※ Hi-Speed RS-485 Interface (Max 921600bps)
- ※ Standard 2.4GHz IEEE 802.11 b/g (Wi-Fi)
- ※ Built-in Step Motor Driver, Connect Directly
- ※ Output Over Current Protection (OCP)
- ※ Output Over Thermal Protection (OTP)
- ※ Output Under Voltage Lockout (UVLO)
- ※ Support MODBUS TCP/IP, UDP/IP ,RTU ,ASCII
- ※ Able To Connect Wi-Fi AP, Internet Of Things (IOT), Industry 4.0
- ※ A-3290 Can Be Directly Connected To The Control Output, Without Any Controller
- ※ Free Monitor PC Software "YottaUtility"



For more information, please refer to

[www.yottacontrol.com](http://www.yottacontrol.com)

Type	A-1251 DI	A-1212 A-1213 ADIO	A-1219 A-1220 ADIO	A-1255/ A-1255S ADIO	A-1260 ADIO	A-1269 ADIO	A-3290 Wi-Fi Two-Way communicate Transmitter
Operation Voltage	10~30VDC/24VAC	10~30VDC/24VAC	10~30VDC/24VAC	10~30VDC/24VAC	10~30VDC/24VAC	10~30VDC/24VAC	AA Battery *2
Inputs	16*Isolation DI status low:<1VDC status high:>5~30VDC	2*Isolation DI status low:<1VDC status high:>5~30VDC	4*Isolation DI status low:<1VDC status high:>5~30VDC	8*Isolation DI status low:<1VDC status high:>5~30VDC	7*Isolation DI status low:<1VDC status high:>5~30VDC	---	7*Isolation DI
Outputs	---	2*(Transistor)	---	4*(Motor Driver) 4*(Source Driver)	4*(Power Relay)	8*(Power Relay)	---
Continuous Current	---	10-35VDC(1A)	---	8-60VDC(1.75A) /10-40VDC(1A)	250VAC(7A) /30VDC(7A)	250VAC(5A) /30VDC(5A)	---
Communication Baud Rate	2400~921600bps						WIFI b/g
Isolation	YES(5000VDC)						
Input Operating Frequency	10HZ						5HZ
Output Operating Frequency	Transistor:10HZ						---
Operation Temperature	-20 to +75 °C						-20 to +75 °C
Degree Of Protection	IP20						IP66
Installation	35 mm DIN rail or Flush mounting						---
Dimension (W x H x D mm)	76.4*118.2*38.5 mm						120*55*30 mm
Analog Inputs	---	4 (16-bit)	8 (16-bit)		4 (12-bit)	---	---
Analog Input Type	---	2*0/4~20mA 2*0/2~10V 2*PT-100/1000 (-200~+600°C)	0/4~20mA, J,K,T,E,R ,S,B,Thermistor (-270~+1800°C) 0/2~10V		4* 0~10V	---	---
Analog Outputs	---	2 (12-bit)	---		---	---	---
Analog Output Type	---	0/4 ~20mA	---		---	---	---
Input Impedance	---	Current: 100 Ω RTD : 10 MΩ	Current: 100 Ω Voltage : 10 MΩ		Voltage:10 MΩ	---	---
Analog Input / Output Accuracy	---	±0.1% / ±1%	±0.1% / ---		±1% / ---	---	---
Interface	WIFI + RS-485 + USB						WIFI + USB
Channel Independent Configuration	YES						---
Sampling Rate	AI/AO: 10sample/second(total) ; DI/DO:100sample/second(total)						---
CMR @ 50/60 Hz	120 dB						---
Span Drift	±50 ppm/°C						---
Zero Drift	±18 μV/°C						---
Temperature Ranges	(PT-100:-200~600°C) (PT-1000:-200~600°C) (J:-210~760°C) (K:-270~1370°C) (T:-270~400°C) (E:-270~1000°C) (R:0~1750°C) (S:0~1750°C) (B:0~1800°C) (Thermistor-10K-T2:0~100°C) (Thermistor-10K-T3:0~100°C) (Thermistor-6.8K:-10~100°C) (Thermistor-4.7K:-10~100°C) (Thermistor-3.3K:-20~100°C) (Thermistor-3K:-20~100°C) (Thermistor-2.7K:-20~100°C) (Thermistor-2.252K:-20~100°C) (Thermistor-2.1K:-30~100°C) (Thermistor-2K:-30~100°C) (Thermistor-1.5K:-40~100°C) (Thermistor-1K:-40~100°C)						

Sky blue background with white letters is the difference for the models in the same field.

# Remote Modules

## ETHERNET Analog I/O Remote Modules



### A-18x Series

2

#### OVERVIEW

- ※ Analog Input 16-bit Resolution
- ※ Analog Output 12-bit Resolution
- ※ Support Analog Input/Output 0/4 ~20mA or 0-10V
- ※ Support PT-100 Or PT-1000 (2/3/4-wired)
- ※ Support J, K, T, E, R, S, B Thermocouple
- ※ Support 10K/6.8K/4.7K/3.3K/3K/2.7K/2.252K/2.1K/2K/1.5K/1K Thermistor
- ※ Burn-out Detection
- ※ Ethernet Interface + USB Interface
- ※ Supports 8 Independent Sockets Simultaneously
- ※ Remote Monitoring And Control With Mobile Devices
- ※ Built-in Step Motor Driver, Connect Directly
- ※ Output Over Current Protection (OCP)
- ※ Output Over Thermal Protection (OTP)
- ※ Output Under Voltage Lockout (UVLO)
- ※ Support MODBUS TCP/IP, MODBUS RTU
- ※ Flexible User-defined Modbus address
- ※ Support LAN 10/100 Mbps Communication Rate
- ※ Free Monitor PC Software "YottaUtility"



For more information, please refer to [www.yottacontrol.com](http://www.yottacontrol.com)

Type	A-1851	A-1812	A-1819	A-1855/A-1855S	A-1860	A-1869
	DI	AIO	AIO	DIO	DIO	DIO
Operation Voltage	10~30VDC/24VAC	10~30VDC/24VAC	10~30VDC/24VAC	10~30VDC/24VAC	10~30VDC/24VAC	10~30VDC/24VAC
Inputs	16*Isolation DI status low:<1VDC status high:>5~30VDC	2*Isolation DI status low:<1VDC status high:>5~30VDC	---	8*Isolation DI status low:<1VDC status high:>5~30VDC	8*Isolation DI status low:<1VDC status high:>5~30VDC	---
Outputs	---	---	---	4*(Motor Driver/Source)	4*(Power Relay)	8*(Power Relay)
Continuous Current	---	---	---	8-60VDC(1.75A) /10-40VDC(1A)	250VAC(7A)/30VDC(7A)	250VAC(7A)/30VDC(7A)
Communication Baud Rate	10/100Mbps					
Isolation	YES(5000VDC)					
Input Operating Frequency	10HZ					
Output Operating Frequency	Transistor:10HZ					
Operation Temperature	-20 to +75 °C					
Degree Of Protection	IP20					
Installation	35 mm DIN rail or Flush mounting					
Dimension (W x H x D mm)	76.4*118.2*38.5 mm					
Analog Inputs	---	4 (16-bit)	8 (16-bit)	---	---	---
Analog Input Type	---	2* 0/4~20mA 2* PT-100/1000 (-200 ~ +600°C)	0/4~20mA, J, K, T, E, R , S, B, Thermistor (-270 ~ +1800°C)	---	---	---
Analog Outputs	---	2 (12-bit)	---	---	---	---
Analog Output Type	---	0/4 ~20mA	---	---	---	---
Input Impedance	---	Current: 100 Ω RTD : 10 MΩ	Current: 100 Ω Voltage : 10 MΩ	---	---	---
Analog Input /Output Accuracy	---	±0.1% / ±1%	±0.1% / ---	---	---	---
Interface	Ethernet + USB					
Channel Independent Configuration	YES					
Sampling Rate	AI/AO: 10sample/second(total) ; DI/DO:100sample/second(total)					
CMR @ 50/60 Hz	120 dB					
Span Drift	±50 ppm/°C					
Zero Drift	±18 μV/°C					
Temperature Ranges	(PT-100:-200~600°C) (PT-1000:-200~600°C) (J:-210~760°C) (K:-270~1370°C) (T:-270~400°C) (E:-270~1000°C) (R:0~1750°C) (S:0~1750°C) (B:0~1800°C) (Thermistor-10K-T2:0~100°C) (Thermistor-10K-T3:0~100°C) (Thermistor-6.8K:-10~100°C) (Thermistor-4.7K:-10~100°C) (Thermistor-3.3K:-20~100°C) (Thermistor-3K:-20~100°C) (Thermistor-2.7K:-20~100°C) (Thermistor-2.252K:-20~100°C) (Thermistor-2.1K:-30~100°C) (Thermistor-2K:-30~100°C) (Thermistor-1.5K:-40~100°C) (Thermistor-1K:-40~100°C)					

# Remote Modules

## RS-485 I/O Remote Modules

### A-10x Series

#### OVERVIEW

- ※ Use for Yottacontrol Whole Series Controller
- ※ RS-485 Interface
- ※ Supports Modbus RTU / ASCII
- ※ LED Indicator
- ※ Operation Temperature -20~+75°C
- ※ Isolation Voltage: 5000 V DC
- ※ Surge , EFT And ESD Protection
- ※ Dual Watchdog Timer
- ※ Low Power Indicator
- ※ Operation Range: Up To 1200 Meters
- ※ Free Monitor PC Software "YottaUtility"



For more information, please refer to  
[www.yottacontrol.com](http://www.yottacontrol.com)

Type	A-1057	A-1058	A-1068	A-1069	A-1051	A-1051+ (isolated RS485) DIO
Operation Voltage	10~30VDC/24VAC	10~30VDC/24VAC	10~30VDC/24VAC	10~30VDC/24VAC	10~30VDC/24VAC	10~30VDC/24VAC
Inputs	---	---	---	---	16*Isolation DI status low:<1VDC status high:>5~30VDC	16*Isolation DI status low:<1VDC status high:>5~30VDC
Outputs	12 (Souce Transistor)	12 (Sink Transistor)	8 (Signal Relay)	8 (Power Relay)	---	---
Continuous Current	10-35VDC(1A)	10-40VDC(200mA)	120VAC(0.5A)/30VDC(1A)	250VAC(5A)/30VDC(1A)	---	---
Communication Baud Rate	1200~115200bps					
Isolation	YES(5000VDC)					
Input Operating Frequency	10HZ					
Output Operating Frequency	Relay:10HZ / Transistor:10HZ					
Operation Temperature	-20 to +75 °C					
Degree Of Protection	IP20					
Installation	35 mm DIN rail or Flush mounting					
Dimension (W x H x D mm)	76.4*118.2*38.5 mm					

Type	A-1055	A-1055S	A-1060	A-1080 (Lighting Relay Controller)
Operation Voltage	10~30VDC/24VAC	10~30VDC/24VAC	10~30 VDC/24VAC	10~30 VDC/24VAC
Inputs	8*Isolation DI status low:<1VDC status high:>5~30VDC	8*Isolation DI status low:<1VDC status high:>5~30VDC	8*Isolation DI status low:<1VDC status high:>5~30VDC	
Outputs	8 (Sink Transistor)	8 (Souce Transistor)	4 (Power Relay)	8 (HID Relay)
Continuous Current	10-35VDC(200mA)	10-35VDC(1A)	250VAC(5A)/30VDC(5A)	
Communication Baud Rate	1200~115200bps			2400~921600bps
Isolation	YES(5000VDC)			YES(5000VDC)
Input Operating Frequency	10HZ			10HZ
Output Operating Frequency	Relay:10HZ/Transistor:10HZ			Function Key:8
Operation Temperature	-20 to +75°C			-20 to +75°C
Degree Of Protection	IP20			IP20
Installation	35mm DIN rail or Flush mounting			35mm DIN rail or Flush mounting
Dimension (W x H x D mm)	76.4*118.2*38.5 mm			76.4*118.2*38.5 mm

# Remote Modules

## RS-485 Analog I/O Remote Modules

### A-10x Series

4

#### OVERVIEW

- ※ Analog Input 16-bit Resolution
- ※ Analog Output 12-bit Resolution
- ※ Support Analog Input/Output 0/4 ~20mA Or 0~10V
- ※ Support PT-100 Or PT-1000 (2/3/4-wired)
- ※ Support J, K, T, E, R, S, B Thermocouple
- ※ Support 10K/6.8K/4.7K/3.3K/3K/2.7K/2.252K/2.1K/2K/1.5K/1K Thermistor
- ※ Burn-out Detection
- ※ RS-485 Interface + USB Interface
- ※ Hi-Speed RS-485 Interface (Max 921600bps)
- ※ Supports Modbus RTU / ASCII
- ※ LED Indicator
- ※ Operation Temperature -20~+75°C
- ※ Isolation Voltage: 5000 V DC
- ※ Surge , EFT And ESD Protection
- ※ Dual Watchdog Timer
- ※ Low Power Indicator
- ※ Operation Range: Up To 1200 Meters
- ※ Free PC Software "YottaUtility "



For more information, please refer to [www.yottacontrol.com](http://www.yottacontrol.com)

Type	A-1010 A-1010+ ADIO	A-1012 A-1012+ ADIO	A-1013 ADIO	A-1019 A-1019+ ADIO	A-1020 ADIO	A-1036+ AO	A-1038+ AO
Operation Voltage	10~30VDC/24VAC	10~30VDC/24VAC	10~30VDC/24VAC	10~30VDC/24VAC	10~30VDC/24VAC	10~30VDC/24VAC	10~30VDC/24VAC
Inputs	---	2*Isolation DI status low:<1VDC status high:>5~30VDC	2*Isolation DI status low:<1VDC status high:>5~30VDC	4*Isolation DI status low:<1VDC status high:>5~30VDC	4*Isolation DI status low:<1VDC status high:>5~30VDC	---	---
Outputs	4*(Transistor)	2*(Transistor)	2*(Transistor)	---	---	---	---
Continuous Current	10~40VDC(200mA)	10~35VDC(1A)	10~35VDC(1A)	---	---	---	---
Communication Baud Rate	2400~921600bps						
Isolation	YES(5000VDC)						
Input Operating Frequency	10HZ						
Output Operating Frequency	Transistor:10HZ						
Operation Temperature	-20 to +75 °C						
Degree Of Protection	IP20						
Installation	35 mm DIN rail or Flush mounting						
Dimension (W x H x D mm)	76.4*118.2*38.5 mm						
Analog Inputs	8 (10-bit)	4 (16-bit)	4 (16-bit)	8 (16-bit)	8(16-bit)	---	---
Analog Input Type	0~10V	2*0/4~20mA isolated 2*PT-100/1000 (-200~+600°C)	2*0/2~10V 2*PT-100/1000 (-200~+600°C)	0/4~20mA isolated J,K,T,E ,R,S,B Thermistor (-270~+1800°C)	0/2~10V	---	---
Analog Outputs	2(10-bit)	2(12-bit)	2(12-bit)	---	---	6(12-bit)	8(12-bit)
Analog Output Type	0~10V	0/4~20mA	0/2~10V	---	---	0/4~20mA	0/2~10V
Input Impedance	Voltage:10 MΩ	Current:100Ω RTD: 10MΩ	Current:100Ω RTD: 10MΩ	Current:100Ω Voltage: 10MΩ	---	---	---
Analog Input / Output Accuracy	±1%/±1%	±0.1%/±1%	±0.1%/±1%	±0.1%/ ---	±0.1%/ ---	±0.1%/ ---	±0.1%/ ---
Interface	RS-485 (isolataed)	RS-485 (isolataed) +USB	RS-485+USB	RS-485 (isolataed) +USB	RS-485+USB	RS-485 (isolataed)	RS-485 (isolataed)
Channel Independent Configuration	YES						
Sampling Rate	AI/AO: 10sample/second(total) ; DI/DO:100sample/second(total)						
CMR @ 50/60 Hz	120 dB						
Span Drift	±50 ppm/°C						
Zero Drift	±18 μV/°C						
Temperature Ranges	(PT-100:-200~600°C) (PT-1000:-200~600°C) (J:-210~760°C) (K:-270~1370°C) (T:-270~400°C) (E:-270~1000°C) (R:0~1750°C) (S:0~1750°C) (B:0~1800°C) (Thermistor-10K-T2:0~100°C) (Thermistor-10K-T3:0~100°C) (Thermistor-6.8K:-10~100°C) (Thermistor-4.7K:-10~100°C) (Thermistor-3.3K:-20~100°C) (Thermistor-3K:-20~100°C) (Thermistor-2.7K:-20~100°C) (Thermistor-2.252K:-20~100°C) (Thermistor-2.1K:-30~100°C) (Thermistor-2K:-30~100°C) (Thermistor-1.5K:-40~100°C) (Thermistor-1K:-40~100°C)						

Sky blue background with white letters is the difference for the models in the same field.

# Remote Modules

## RS-485 I/O Remote Modules

### A-1080 Lighting Relay Controller

#### OVERVIEW

- ※ Can Be Used In Building Lighting, Street Lighting, Hotel Lighting, To Measure Up Better Energy Control
- ※ N + 1 Wiring Lighting Output Control
- ※ Manual Control Switch At Each Point And Long Distance Remote Control From The Control Room
- ※ LED Status Indicator
- ※ Can Be Installed With DIN And Secured With Screw
- ※ The Module Can Use AC-24V To Supply Electricity To Reduce The Cost
- ※ Can Be Omitted Lighting Electrical Engineering Part Of The Secondary Circuit Transformation
- ※ Use For Yottacontrol Whole Series Controller
- ※ RS-485 Interface
- ※ Supports Modbus RTU / ASCII
- ※ Operation Temperature -20~+75°C
- ※ Isolation Voltage: 5000 V DC
- ※ Surge , EFT And ESD Protection
- ※ Dual Watchdog Timer
- ※ Low Power Indicator
- ※ Operation Range: Up To 1200 Meters
- ※ Free Monitor PC Software "Yotta Utility"



For More Information, Please Refer To

[www.yottacontrol.com](http://www.yottacontrol.com)

Type	A-1080 (Lighting Relay Controller)
Operation Voltage	10-30VDC/24VAC
Outputs(Isolation)	8
Communication Baud Rate	2400-921600bps
Isolation	Yes(5000VDC)
Output Operating Frequency	10HZ
Operation Temperature	-20 to +75 °C
Degree Of Protection	IP20
Function Key	8
Installation	35 mm DIN Rail or Flush Mounting
Dimension (W x H x D mm)	76.4*118.2*39 mm

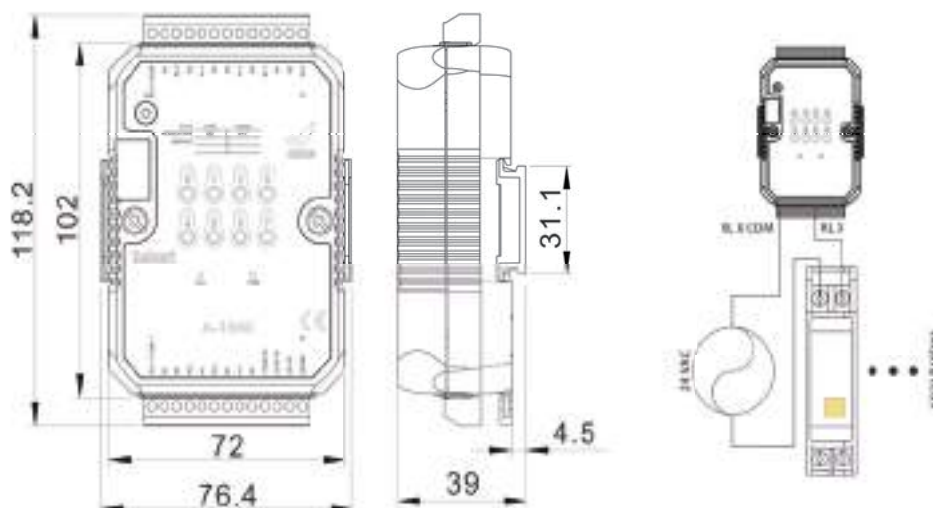
#### Address Mapping

**Supported Modbus Code: 01/02/05/15**

Address :00017~00024

0~7 Digital Output Value

#### Dimension & Wiring Diagrams



# Monitoring and Database Software

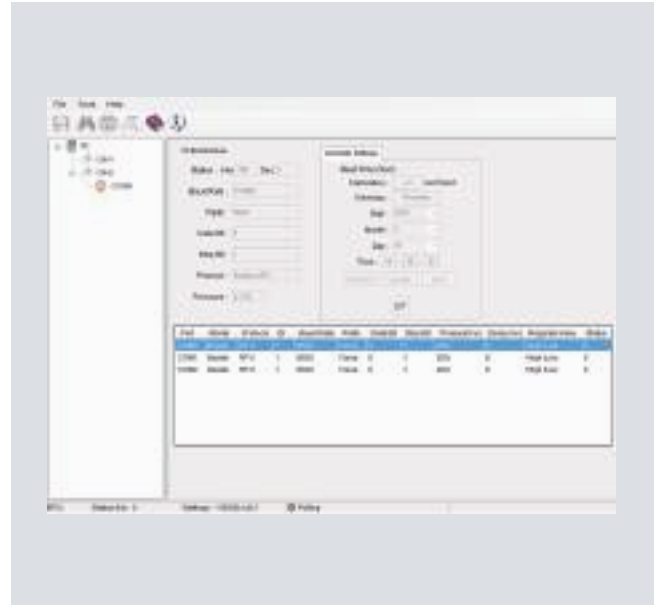
## DCS Monitoring and Database Software

### YottaUtility

6

#### OVERVIEW

- ※ Monitor & Database Function
- ※ Use For Yottacontrol Whole Series Controller And TS-48 Time Switch
- ※ Windows98/ME/2000/XP/Vista/7/8/10
- ※ Quick Setup Distributed Device Parameter & Monitoring
- ※ Can Monitor DCS Program & Parameters
- ※ Can Monitor PLC Program & Parameters
- ※ Monitor & Database Can Use For SCADA
- ※ Real-Time Monitoring, Warning Setup
- ※ Monitor Hundreds Controllers & Distributed Devices
- ※ Component Name Comment
- ※ Easy Logical Program Function
- ※ Time Switch Series Edit
- ※ Multi Communicate Parameter Function
- ※ Support MODBUS TCP-IP/UDP-IP/RTU/ASCII
- ※ Quick Setup Controller RTC Parameter



For more information, please refer to [www.yottacontrol.com](http://www.yottacontrol.com)

#### APPLICATIONS

##### ELECTRONIC EQUIPMENT

- SORTING MACHINE
- LOADER & UNLOADER
- PACKAGING MACHINE
- DETECTOR
- CUTTING MACHINE
- LAMINATOR
- COATING MACHINE
- LAPPING MACHINE
- FEEDING SYSTEM
- PRECISION MACHINERY

##### ELECTROMECHANICAL EQUIPMENT

- SPRAYING MACHINE
- EVAPORATION
- MACERATOR
- CALENDER MACHINE
- FLUSHING MACHINE
- ELECTROPLATING MACHINE
- WELDING MACHINE
- PRESS MACHINE
- CUTTING MACHINE
- BENDING MACHINE
- BOBBIN MACHINE
- BURN-IN EQUIPMENT
- DIE CASTER
- HEATING PROCESSING

##### FOOD & BEVERAGE

- PACKAGING MACHINE
- SEAL-CAPPING MACHINE
- LABELLING MACHINE
- FORMING MACHINE
- BLENDER EQUIPMENT
- CASING MACHINE
- FILLING MACHINE
- DRYER EQUIPMENT
- WEIGHT SEPARATOR
- CAPPING MACHINE
- INJECTION MACHINE
- TEMPERATURE-CONTROL

# Ordering Information

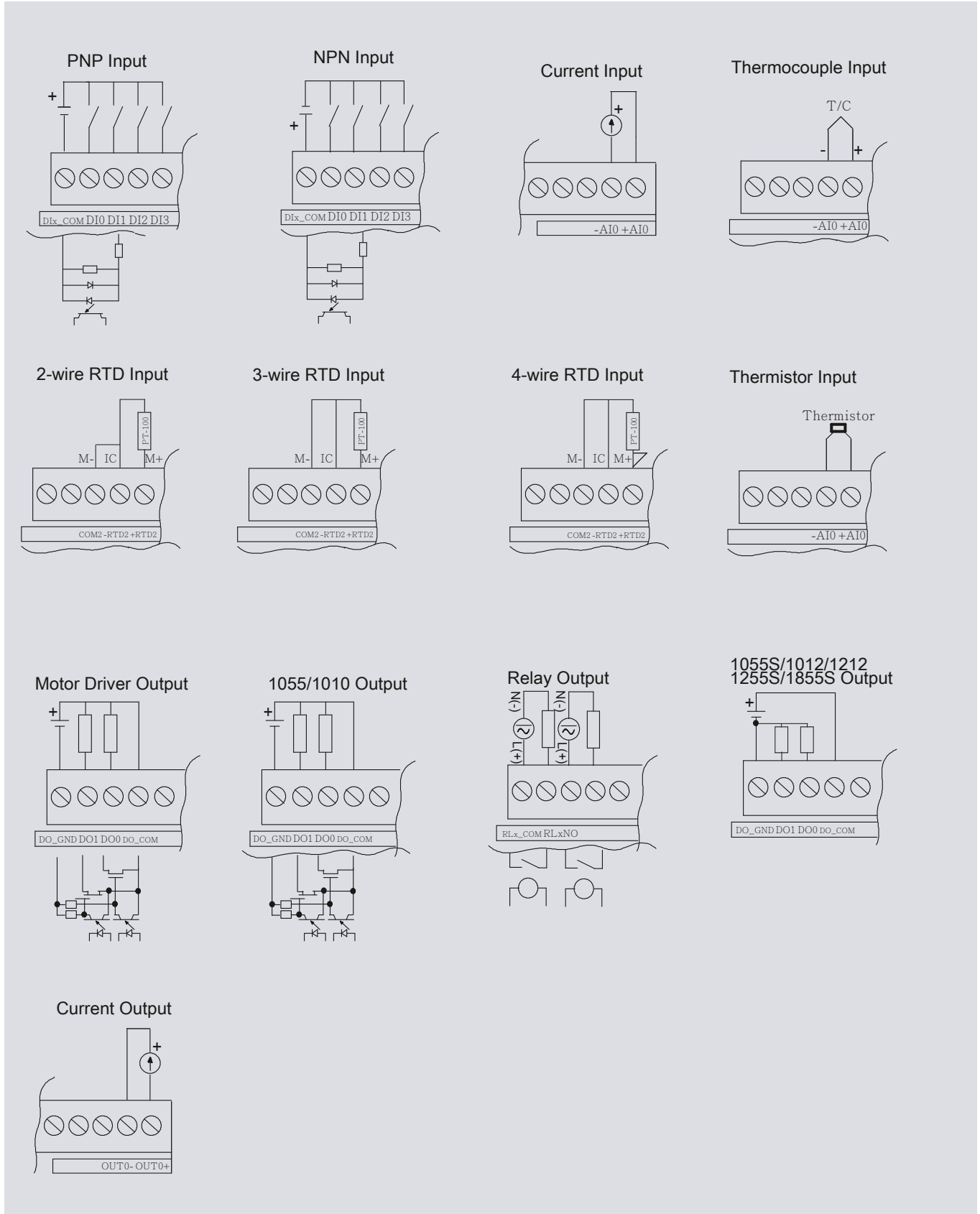
## Yottacontrol Remote Modules

WIFI Remote Modules		
1212	WIFI ADIO Remote Modules,4AI(0~20/4~20mA + PT-100/1000),2AO(0~20/4~20mA),2DI,2DO(Source Output),WIFI*1,RS-485*1,USB*1	A-1212
1213	WIFI ADIO Remote Modules,4AI(0/2~10V + PT-100/1000),2AO(0/2~10V),2DI,2DO(Source Output),WIFI*1,RS-485*1,USB	A-1213
1219	WIFI ADIO Remote Modules,8AI(0~20/4~20mA,J,K,T,E,R,S,B,Thermistor),4DI,WIFI*1,RS-485*1,USB*1	A-1219
1251	WIFI DI Remote Modules,16DI,WIFI*1,RS-485*1,USB*1	A-1251
1255	WIFI ADIO Remote Modules,8DI/4DO/4AI(0~10V),Motor Driver Output,WIFI*1,RS-485*1,USB*1	A-1255
1260	WIFI ADIO Remote Modules,7DI/4DO/4AI(0~10V),Power Relay Output,WIFI*1,RS-485*1,USB*1	A-1260
1269	WIFI ADIO Remote Modules,8DO/4AI(0~10V),Power Relay Output,WIFI*1,RS-485*1,USB*1	A-1269
1255S	WIFI ADIO Remote Modules,8DI/4DO/4AI(0~10V),Source Output,WIFI*1,RS-485*1,USB*1	A-1255S
ETHERNET Remote Modules		
1812	ETHERNET ADIO Remote Modules,4AI(0~20/4~20mA + PT-100/1000),2AO(0~20/4~20mA),2DI,ETHERNET*1,USB*1	A-1812
1819	ETHERNET ADIO Remote Modules,8AI(0~20/4~20mA,J,K,T,E,R,S,B,Thermistor),ETHERNET*1,USB*1	A-1819
1851	ETHERNET DI Remote Modules,16DI,ETHERNET*1,USB*1	A-1851
1855	ETHERNET DIO Remote Modules,8DI/4DO,Motor Driver Output,ETHERNET*1,USB*1	A-1855
1860	ETHERNET DIO Remote Modules,8DI/4DO,Power Relay Output,ETHERNET*1,USB*1	A-1860
1869	ETHERNET DIO Remote Modules,8DO,Power Relay Output,ETHERNET*1,USB*1	A-1869
1855S	ETHERNET DIO Remote Modules,8DI/4DO,Source Driver Output,ETHERNET*1,USB*1	A-1855S
RS-485 Remote Modules		
1057	DO Remote Modules , LED indicator , DC Power Supply , 12DO , Source Output , RS-485*1	A-1057
1058	DO Remote Modules , LED indicator , DC Power Supply , 12DO , Sink Output , RS-485*1	A-1058
1068	DO Remote Modules , LED indicator , DC Power Supply , 8DO , Signal Relay Output , RS-485*1	A-1068
1069	DO Remote Modules , LED indicator , DC Power Supply , 8DO , Power Relay Output , RS-485*1	A-1069
1051+	DI Remote Modules , LED indicator , DC Power Supply , 16DI , RS-485*1(isolated)	A-1051+
1051	DI Remote Modules , LED indicator , DC Power Supply , 16DI , RS-485*1	A-1051
1055	DIO Remote Modules , LED indicator , DC Power Supply , 8DI/8DO , Sink Output , RS-485*1	A-1055
1055S	DIO Remote Modules , LED indicator , DC Power Supply , 8DI/8DO , Source Output , RS-485*1	A-1055S
1060	DIO Remote Modules , LED indicator , DC Power Supply , 8DI/4DO , Power Relay Output , RS-485*1	A-1060
1010+	ADIO Remote Modules , LED indicator , DC Power Supply , 8AI(0~10V) , 2AO(0~10V) , 4DO(Sink Output) , RS-485*1(isolated)	A-1010+
1010	ADIO Remote Modules , LED indicator , DC Power Supply , 8AI(0~10V) , 2AO(0~10V) , 4DO(Sink Output) , RS-485*1	A-1010
1012+	ADIO Remote Modules , LED indicator , DC Power Supply , 4AI(0/4~20mA+PT100/1000) , 2AO(0/4~20mA) , 2DI , 2DO(source) , RS-485*1(isolated)	A-1012+
1012	ADIO Remote Modules , LED indicator , DC Power Supply , 4AI(0/4~20mA+PT100/1000) , 2AO(0/4~20mA) , 2DI , 2DO(source) , RS-485*1,USB*1	A-1012
1013	ADIO Remote Modules , LED indicator , DC Power Supply , 4AI(0/2~10V+PT100/1000) , 2AO(0/2~10V) , 2DI , 2DO(source) , RS-485*1,USB*1	A-1013
1019+	ADIO Remote Modules , LED indicator , DC Power Supply , 8AI(0~20/4~20mA,J,K,T,E,R,S,B,Thermistor) , 4DI , RS-485*1(isolated)	A-1019+
1019	ADIO Remote Modules , LED indicator , DC Power Supply , 8AI(0~20/4~20mA,J,K,T,E,R,S,B,Thermistor) , 4DI , RS-485*1,USB*1	A-1019
1020	ADIO Remote Modules , LED indicator , DC Power Supply , 8AI(0~10V)-16bits , 4DI , RS-485*1 , USB*1	A-1020
1036+	AO Remote Modules , LED indicator , DC Power Supply , 6AO(0/4~20mA) , RS-485*1(isolated)	A-1036+
1038+	AO Remote Modules , LED indicator , DC Power Supply , 8AO(0/2~10V) , RS-485*1(isolated)	A-1038+
1080	DO Remote Modules , LED indicator , DC/AC Power Supply , 8DO , HID Relay Output , Input Switch*8 , RS-485*1	A-1080
Wi-Fi Two-Way Communicate Transmitters		
A-3290	WIFI DI Remote Modules,7DI,WIFI*1,USB*1	A-3290
Accessories		
ASPS	Power Supply , 24V/2A	ASPS
CAB-MINIUSB60	Communication lines	CAB-MINIUSB60
CAB89	A-3290 Communication lines	CAB89
Software		
YottaUtility	Monitoring and Database Software	YottaUtility
A-1x USB Driver	A-1x USB PC Driver	DR-A1XUSB
CAB89 USB Driver	A-3290 Communication lines PC Driver	DR-CAB89USB

# Wiring Diagrams & Pin Out

## Remote Modules

### A-1x Series



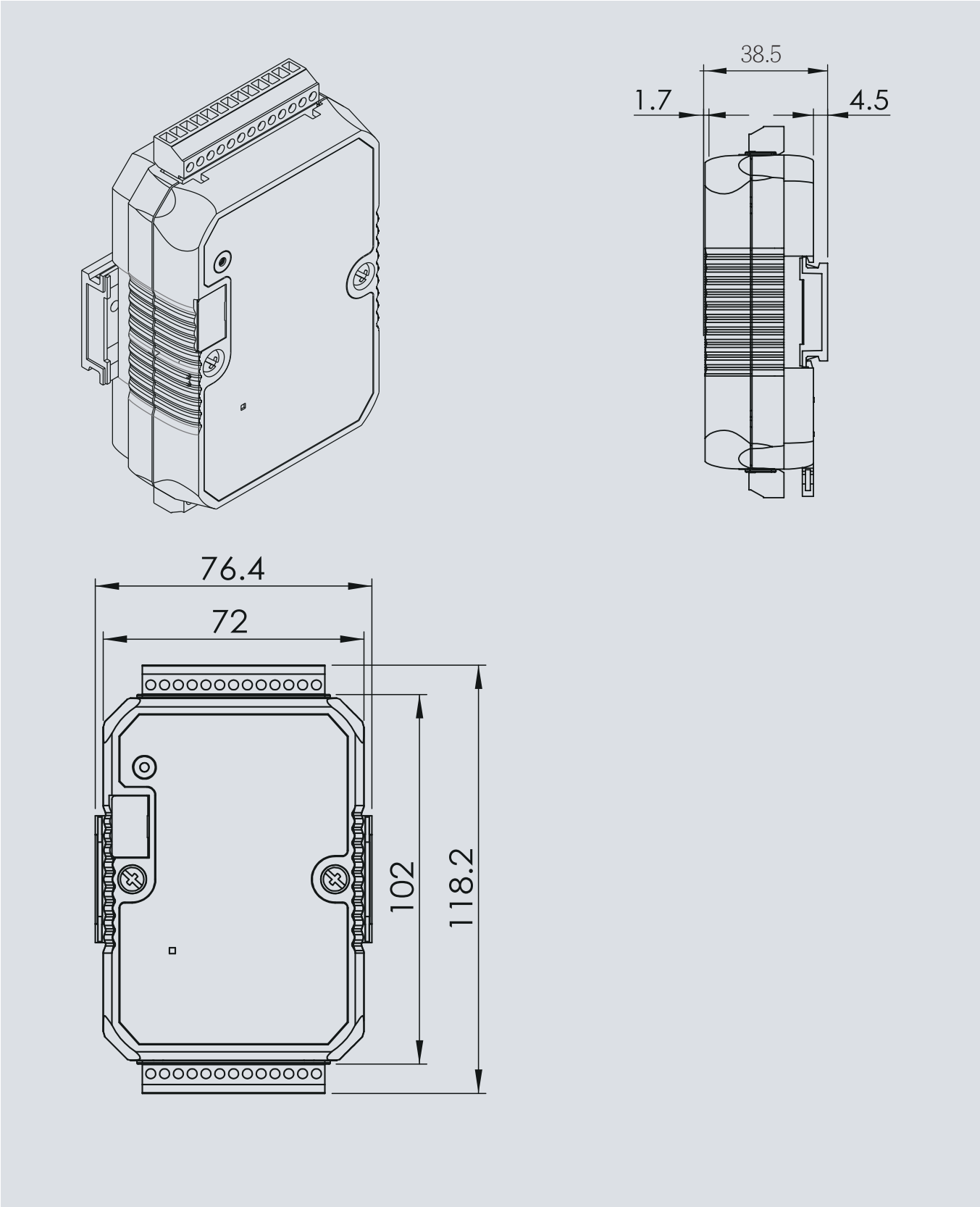
For more information, please refer to [www.yottacontrol.com](http://www.yottacontrol.com)

# Dimension

## Remote Modules

### Remote Modules

Dimension



For more information, please refer to [www.yottacontrol.com](http://www.yottacontrol.com)

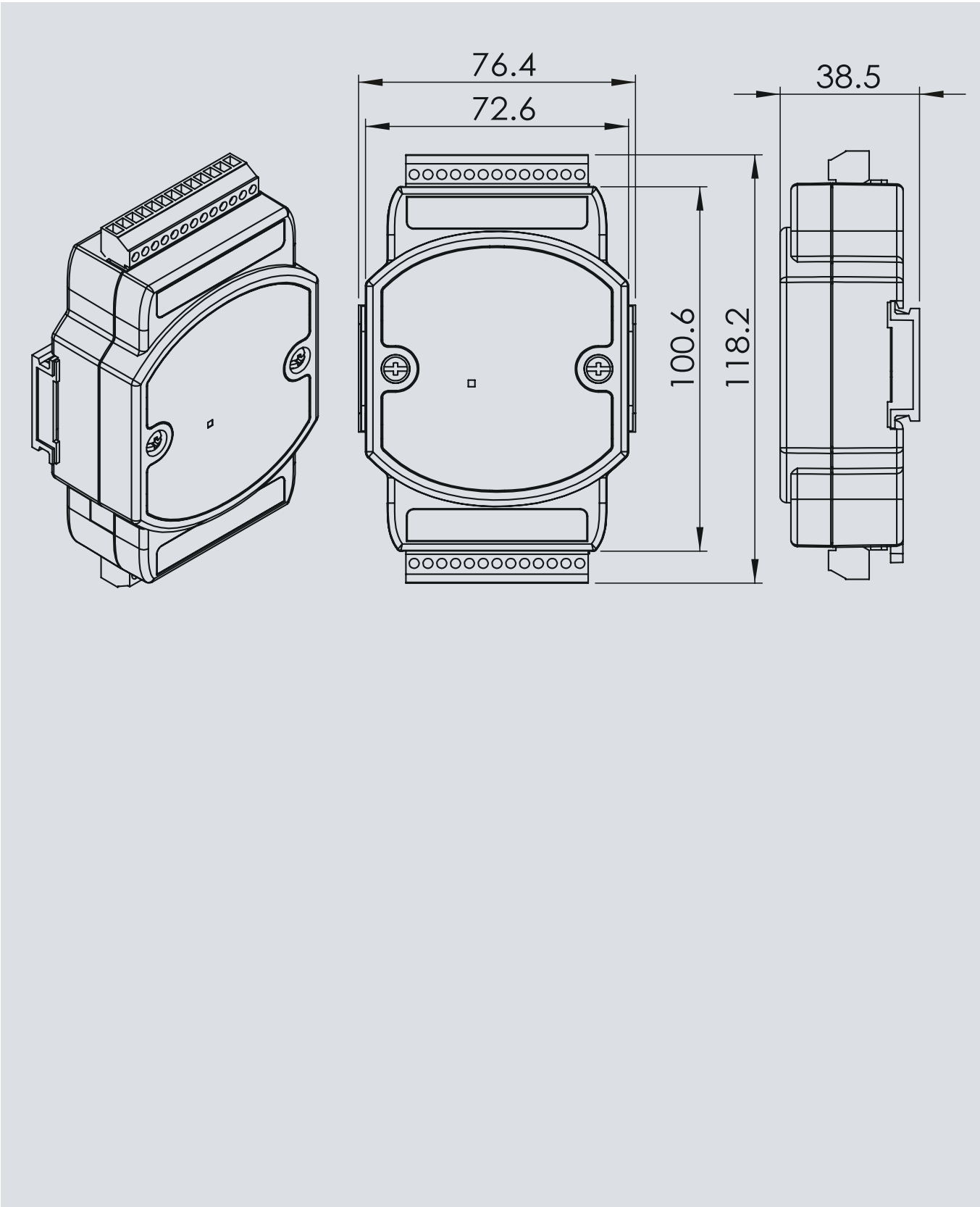
# Dimension

## Remote Modules

### Remote Modules

10

Dimension



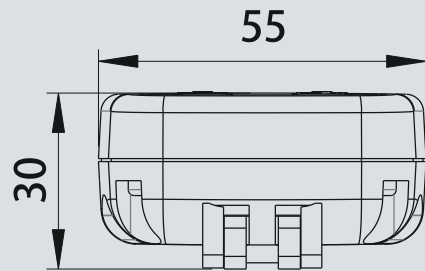
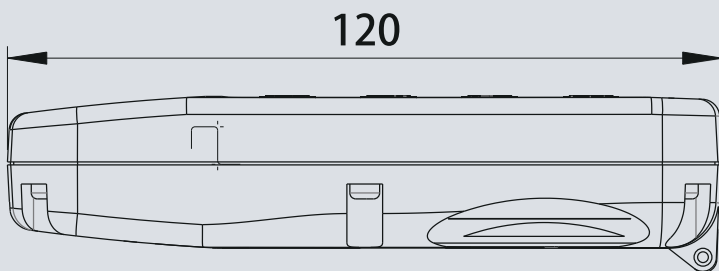
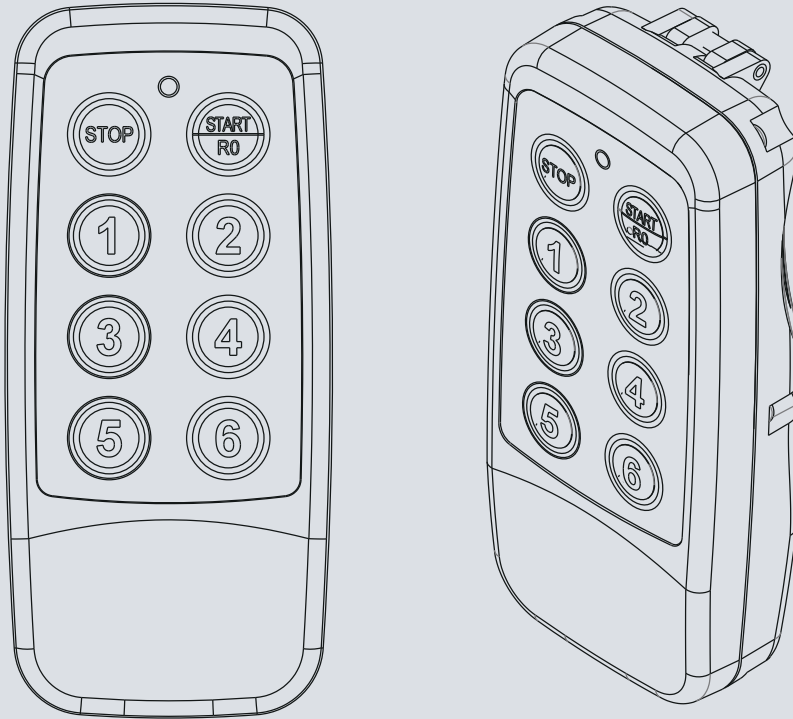
For more information, please refer to [www.yottacontrol.com](http://www.yottacontrol.com)

# Dimension

## Remote Modules

### Remote Modules

Dimension



For more information, please refer to [www.yottacontrol.com](http://www.yottacontrol.com)





# Address Mapping

## Remote Modules

### Remote Modules

Mapping Table

<b>A-1212</b>				
<b>Supported Modbus Code:</b>	<b>01/02/05/15</b>			
Address 0X	Item	NOR	INIT*	NOTE
00001-00002	0-1 DI Input Signal	R	R	
00017-00018	0-1 DO Output Value	R/W	R/W	
00033-00034	0-1 Power On Digital Output Value	R	R/W	
00049-00050	0-1 Communication Fail Safe Value	R	R/W	
00065-00066	0-1 Burn-out Signal	R	R	1:Burn-out (4-20mA only)
00067-00068	2-3 Burn-out Signal	R	R	1:Burn-out
00129-01152	0-1023 Auxiliary Memory (M Flag)	R/W	R/W	
<b>Supported Modbus Code:</b>	<b>03/04/06/16</b>			
Address 4X	Item	NOR	INIT*	NOTE
40001-40002	0-1 Current Input Value	R	R	0-20000:0/4-20mA
40003-40004	2-3 Current Input Value	R	R	0-8000:-200-+600° C
40017-40018	0-1 Current Output Value	R/W	R/W	0-4000:0/4-20mA
40033-40034	Power On Analog Output Value	R	R/W	0-4000:0/4-20mA
40049-40050	0-1 Communication Fail Safe Analog Output Value	R	R/W	0-4000:0/4-20mA
40065-40066	0-1 Input Type Code	R	R/W	0:4-20mA 1:0-20mA
40067-40068	2-3 Input Type Code	R	R/W	0:PT-100 $\alpha$ = 0.00385
				1:PT-100 $\alpha$ = 0.003916
				2:PT-1000 $\alpha$ = 0.00385
				3:PT-1000 $\alpha$ = 0.003916
40081-40082	0-1 Output Type Code	R	R/W	0:4-20mA 1:0-20mA
40097-40098	0-1 Current Input Value	R	R	4/0-20:4/0-20mA
40099-40100	2-3 Current Input Value	R	R	-200-+600:-200-+600° C
40113-40114	0-1 Current Input Value	R	R	4/0-20:4/0-20mA
40115-40116	2-3 Current Input Value	R	R	-328-+1112:-328-+1112° F
40129-40130	0-1 Current Input Value	R	R	40/0-200:4.0/0-20.0mA
40131-40132	2-3 Current Input Value	R	R	-2000-+6000:-200.0-+600.0° C
40145-40146	0-1 Current Input Value	R	R	40/0-200:4.0/0-20.0mA
40147-40148	2-3 Current Input Value	R	R	-3280-+11120:-328.0-+1112.0° F
40161-40164	0-3 Current Input Value	R	R	0-10000:0.00-100.00% of FSR
40177	Communication Fail Safe Time Setting Value	R	R/W	0-65535:Disable-65535msec
40178	All DI Value	R	R	
40211	Module Name 1	R	R	
40212	Module Name 2	R	R	
40213	Version 1	R	R	
40214	Version 2	R	R	
40215-40220	1-6 Mac Serial Number	R	R	
40300	Module's ID In Normal Mode	R	R/W	1-255
40301	Protocol In Normal Mode	R	R/W	0: RTU 1: ASCII
40302	Baud Rate In Normal Mode	R	R/W	1: 2400 bps 2: 4800 bps 3: 9600 bps 4: 14400 bps 5: 19200 bps 6: 28800 bps 7: 38400 bps 8: 57600 bps 9: 115200 bps 10: 230400 bps 11: 460800 bps 12: 921600 bps
40303	Parity Option In Normal Mode			0: None 1: Odd 2: Even
40304	Stop Bits In Normal Mode	R	R/W	0: 1 bit 1: 2 bit
40305	Time Out Setting In Normal Mode	R	R/W	0-65535 msec
40609-40616	0-3 Current Input Value	R	R	32-bit Floating Value (IEEE754)(Float CD AB)
40641-40648	0-3 Current Input Value	R	R	32-bit Deg.C Floating Value (IEEE754)(Float CD AB)
40673-40680	0-3 Current Input Value	R	R	32-bit Deg.F Floating Value (IEEE754)(Float CD AB)
40705-40712	0-3 Current Input Value	R	R	32-bit Floating Value (IEEE754) (Float AB CD)
40737-40744	0-3 Current Input Value	R	R	32-bit Deg.C Floating Value (IEEE754) (Float AB CD)
40769-40776	0-3 Current Input Value	R	R	32-bit Deg.F Floating Value (IEEE754) (Float AB CD)
40801-40808	0-3 Current Input Value	R	R	32-bit Floating Value (IEEE754) (Float BA DC)
40833-40840	0-3 Current Input Value	R	R	32-bit Deg.C Floating Value (IEEE754) (Float BA DC)
40865-40872	0-3 Current Input Value	R	R	32-bit Deg.F Floating Value (IEEE754) (Float BA DC)
40897-40904	0-3 Current Input Value	R	R	32-bit Floating Value (IEEE754) (Float DC BA)
40929-40936	0-3 Current Input Value	R	R	32-bit Deg.C Floating Value (IEEE754) (Float DC BA)
40961-40968	0-3 Current Input Value	R	R	32-bit Deg.F Floating Value (IEEE754) (Float DC BA)
41281-41408	0-127 Analog Auxiliary Memory (AM Flag)	R/W	R/W	0-65535
40401	WIFI Mode	R	R/W	0:AP(default) 1:Remote
40402	WIFI Encryption (WPA2)	R	R/W	0:DISABLE(default) 1:ENABLE
40403-40434	WIFI SSID	R	R/W	Default : 12WIFI
40435-40498	WIFI Password	R	R/W	Default : 88888888
40499	WIFI Channel	R	R/W	0-13 0: Auto(default) / 1-13CH
40500-40503	WIFI IP	R	R/W	IP:x.x.x.x default : 192.168.1.1
40504-40507	WIFI MASK	R	R/W	MASK: x.x.x.x default:255.255.255.0
40508-40511	WIFI GATEWAY	R	R/W	GATEWAY: x.x.x.x Default:192.168.1.1
40512	WIFI MODBUS ID	R	R/W	INIT*: 0, NOR:1-255
40513	WIFI LOCAL PORT	R	R/W	1-65535 Default :502
40514	WIFI REMOTE PORT	R	R/W	1-65535 Default:2000
40515	WIFI DHCP Enable	R	R/W	0:ENABLE(default) 1:DISABLE
40516	WIFI PROTOCOL	R	R/W	0:Modbus TCP/IP(default) 1:Modbus UDP/IP 2:Modbus RTU Over TCP/IP 3:Modbus RTU Over UDP/IP
40517	WIFI TX POWER	R	R/W	0: Auto(default) step:1-12
40518-40523	MAC ADDRESS	R	R	EX: 00-05-5D-E8-0F-A3

For more information, please refer to [www.yottacontrol.com](http://www.yottacontrol.com)

# Address Mapping

## Remote Modules

### Remote Modules

Mapping Table

<b>A-1213</b>				
<b>Supported Modbus Code:</b>	<b>01/02/05/15</b>			
Address 0X	Item	NOR	INIT*	NOTE
00001-00002	0-1 DI Input Signal	R	R	
00017-00018	0-1 DO Output Value	R/W	R/W	
00033-00034	0-1 Power On Digital Output Value	R	R/W	
00049-00050	0-1 Communication Fail Safe Value	R	R/W	
00065-00066	0-1 Burn-out Signal	R	R	1:Burn-out (2-10V only)
00067-00068	2-3 Burn-out Signal	R	R	1:Burn-out
00129-01152	0-1023 Auxiliary Memory (M Flag)	R/W	R/W	
<b>Supported Modbus Code:</b>	<b>03/04/06/16</b>			
Address 4X	Item	NOR	INIT*	NOTE
40001-40002	0-1 Current Input Value	R	R	0-10000:0/2-10V
40033-40034	2-3 Current Input Value	R	R	0-8000:-200-+600° C
40017-40018	0-1 Current Output Value	R/W	R/W	0-4000:0/2-10V
40065-40066	Power On Analog Output Value	R	R/W	0-4000:0/2-10V
40067-40068	0-1 Communication Fail Safe Analog Output Value	R	R/W	0-4000:0/2-10V
40065-40066	0-1 Input Type Code	R	R/W	0:2-10V 1:0-10V
40067-40068	2-3 Input Type Code	R	R/W	0:PT-100 $\alpha$ =0.00385 1:PT-100 $\alpha$ =0.003916 2:PT-1000 $\alpha$ =0.00385 3:PT-1000 $\alpha$ =0.003916
40081-40082	0-1 Output Type Code	R	R/W	0:2-10V 1:0-10V
40097-40098	0-1 Current Input Value	R	R	0-10:0/2-10V
40099-40100	2-3 Current Input Value	R	R	-200+600:-200-+600° C
40113-40114	0-1 Current Input Value	R	R	0-10:0/2-10V
40115-40116	2-3 Current Input Value	R	R	-328-+1112:-328-+1112° F
40129-40130	0-1 Current Input Value	R	R	0-100:0/2-10V
40131-40132	2-3 Current Input Value	R	R	-2000-+6000:-200.0-+600.0° C
40145-40146	0-1 Current Input Value	R	R	0-100:0/2-10V
40147-40148	2-3 Current Input Value	R	R	-3280-+11120:-328.0-+1112.0° F
40161-40164	0-3 Current Input Value	R	R	0-10000:0.00-100.00% ofFSR
40177	Communication Fail Safe Time Setting Value	R	R/W	0-65535:Disable-65535msec
40178	All DI Value	R	R	
40211	Module Name 1	R	R	
40212	Module Name 2	R	R	
40213	Version 1	R	R	
40214	Version 2	R	R	
40215-40220	1-6 Mac Serial Number	R	R	
40300	Module's ID In Normal Mode	R	R/W	1-255
40301	Protocol In Normal Mode	R	R/W	0: RTU 1: ASCII
40302	Baud Rate In Normal Mode	R	R/W	1: 2400 bps 2: 4800 bps 3: 9600 bps 4: 14400 bps 5: 19200 bps 6: 28800 bps 7: 38400 bps 8: 57600 bps 9: 115200 bps 10: 230400 bps 11: 460800 bps 12: 921600 bps
40303	Parity Option In Normal Mode			0: None 1: Odd 2: Even
40304	Stop Bits In Normal Mode	R	R/W	0: 1 bit 1: 2 bit
40305	Time Out Setting In Normal Mode	R	R/W	0-65535 msec
40609-40616	0-3 Current Input Value	R	R	32-bit Floating Value (IEEE754)(Float CD AB)
40641-40648	0-3 Current Input Value	R	R	32-bit Deg.C Floating Value (IEE754)(Float CD AB)
40673-40680	0-3 Current Input Value	R	R	32-bit Deg.F Floating Value (IEEE754)(Float CD AB)
40705-40712	0-3 Current Input Value	R	R	32-bit Floating Value (IEEE754) (Float AB CD)
40737-40744	0-3 Current Input Value	R	R	32-bit Deg.C Floating Value (IEEE754) (Float AB CD)
40769-40776	0-3 Current Input Value	R	R	32-bit Deg.F Floating Value (IEEE754) (Float AB CD)
40801-40808	0-3 Current Input Value	R	R	32-bit Floating Value (IEEE754) (Float BA DC)
40833-40840	0-3 Current Input Value	R	R	32-bit Deg.C Floating Value (IEEE754) (Float BA DC)
40865-40872	0-3 Current Input Value	R	R	32-bit Deg.F Floating Value (IEEE754) (Float BA DC)
40897-40904	0-3 Current Input Value	R	R	32-bit Floating Value (IEEE754) (Float DC BA)
40929-40936	0-3 Current Input Value	R	R	32-bit Deg.C Floating Value (IEEE754) (Float DC BA)
40961-40968	0-3 Current Input Value	R	R	32-bit Deg.F Floating Value (IEEE754) (Float DC BA)
41281-41408	0-127 Analog Auxiliary Memory (AM Flag)	R/W	R/W	0-65535
40401	WiFi Mode	R	R/W	0:AP(default) 1:Remote
40402	WiFi Encryption (WPA2)	R	R/W	0:DISABLE(default) 1:ENABLE
40403-40434	WiFi SSID	R	R/W	Default: 12WiFi
40435-40498	WiFi Password	R	R/W	Default: 88888888
40499	WiFi Channel	R	R/W	0- 13 0: Auto(default) / 1-13CH
40500-40503	WiFi IP	R	R/W	IP:x.x.x.x default: 192.168.1.1
40504-40507	WiFi MASK	R	R/W	MASK:x.x.x.x default:255.255.255.0
40508-40511	WiFi GATEWAY	R	R/W	GATEWAY: x.x.x.x Default:192.168.1.1
40512	WiFi MODBUS ID	R	R/W	INIT*: 0_NOR:1-255
40513	WiFi LOCAL PORT	R	R/W	1-65535 Default:502
40514	WiFi REMOTE PORT	R	R/W	1-65535 Default:2000
40515	WiFi DHCP Enable	R	R/W	0:ENABLE(default) 1:DISABLE
40516	WiFi PROTOCOL	R	R/W	0:Modbus TCP/IP(default) 1:Modbus UDP/IP 2:Modbus RTU Over TCP/IP 3:Modbus RTU Over UDP/IP
40517	WiFi TX POWER	R	R/W	0: Auto(default) step :1-12
40518-40523	MAC ADDRESS	R	R	EX: 00-05-5D-E8-0F-A3

For more information, please refer to [www.yottacontrol.com](http://www.yottacontrol.com)

# Address Mapping

## Remote Modules

### Remote Modules

Mapping Table

<b>A-1219</b>				
<b>Supported Modbus Code:</b>	<b>01/02/05/15</b>			
Address 0X	Item	NOR	INIT*	NOTE
00001-00004	0-3 DI Input Signal	R	R	
00065-00072	0-7 Burn-out Signal	R	R	1: Burn-out
00129-01152	0-1023 Auxiliary Memory (M Flag)	R/W	R/W	
<b>Supported Modbus Code:</b>	<b>03/04/06/16</b>			
Address 4X	Item	NOR	INIT*	NOTE
40001-40008	0-7 Current Input Value	R	R	0-20000:0-20mA/4-20mA 0-20700:-270~+1800° C
40065-40072	0-7 Input Type Code	R	R/W	0: 4-20mA 1: 0-20mA 2: J(-210-760° C) 3: K(-270~-1,370° C) 4: T(-270-400° C) 5: E(-270~-1,000° C) 6: R(0~-1,750° C) 7: S(0~-1,750° C) 8: B(0~-1,800° C) 9: 10K-2 Thermistor(0~+100° C) 10: 10K-3 Thermistor(0~+100° C) 11: 6.8K Thermistor(-10~+100° C) 12: 4.7K Thermistor(-10~+100° C) 13: 3.3K Thermistor(-20~+100° C) 14: 3K Thermistor(-20~+100° C) 15: 2.7K Thermistor(-20~+100° C) 16: 2.25K Thermistor(-20~+100° C) 17: 2.1K Thermistor(-30~+100° C) 18: 2K Thermistor(-30~+100° C) 19: 1.5K Thermistor(-40~+100° C) 20: 1K Thermistor(-40~+100° C)
40097-40104	0-7 Current Input Value	R	R	4/0-20:4/0-20mA -270~+1800° C
40113-40120	0-7 Current Input Value	R	R	4/0-20:4/0-20mA -168~+3272:-168~+3272° F
40129-40136	0-7 Current Input Value	R	R	40/0-200:4.0/0-20.0mA -2700~-+18000:-270.0~-+1800.0° C
40145-40152	0-7 Current Input Value	R	R	40/0-200:4.0/0-20.0mA -1680~+32720:-168.0~+3272.0° F
40161-40168	0-7 Current Input Value	R	R	0-10000:0.00-100.00% of FSR
40178	All DI Value	R	R	
40211	Module Name 1	R	R	
40212	Module Name 2	R	R	
40213	Version 1	R	R	
40214	Version 2	R	R	
40215-40220	1-6 Mac Serial Number	R	R	
40300	Module's ID In Normal Mode	R	R/W	1-255
40301	Protocol In Normal Mode	R	R/W	0: RTU 1: ASCII
40302	Baud Rate In Normal Mode	R	R/W	1: 2400 bps 2: 4800 bps 3: 9600 bps 4: 14400 bps 5: 19200 bps 6: 28800 bps 7: 38400 bps 8: 57600 bps 9: 115200 bps 10: 230400 bps 11: 460800 bps 12: 921600 bps
40303	Parity Option In Normal Mode	R	R/W	0: None 1: Odd 2: Even
40304	Stop Bits In Normal Mode	R	R/W	0: 1 bit 1: 2 bit
40305	Time Out Setting In Normal Mode	R	R/W	0-65535 msec
40609-40624	0-7 Current Input Value	R	R	32-bit Floating Value (IEEE754)(Float CD AB)
40641-40656	0-7 Current Input Value	R	R	32-bit Deg.C Floating Value (IEEE754)(Float CD AB)
40673-40688	0-7 Current Input Value	R	R	32-bit Deg.F Floating Value (IEEE754)(Float CD AB)
40705-40720	0-7 Current Input Value	R	R	32-bit Floating Value (IEEE754)(Float AB CD)
40737-40752	0-7 Current Input Value	R	R	32-bit Deg.C Floating Value (IEEE754)(Float ABCD)
40769-40784	0-7 Current Input Value	R	R	32-bit Deg.F Floating Value (IEEE754)(Float ABCD)
40801-40816	0-7 Current Input Value	R	R	32-bit Floating Value (IEEE754)(Float BA DC)
40833-40848	0-7 Current Input Value	R	R	32-bit Deg.C Floating Value (IEEE754)(Float BA DC)
40865-40880	0-7 Current Input Value	R	R	32-bit Deg.F Floating Value (IEEE754)(Float BA DC)
40897-40912	0-7 Current Input Value	R	R	32-bit Floating Value (IEEE754)(Float DC BA)
40929-40944	0-7 Current Input Value	R	R	32-bit Deg.C Floating Value (IEEE754)(Float DC BA)
40961-40976	0-7 Current Input Value	R	R	32-bit Deg.F Floating Value (IEEE754)(Float DC BA)
41281-41408	0-127 Analog Auxiliary Memory (AM Flag)	R/W	R/W	0-65535
40401	WiFi Mode	R	R/W	0: AP(default) 1: Remote
40402	WiFi Encryption (WPA2)	R	R/W	0: DISABLE(default) 1: ENABLE
40403-40434	WiFi SSID	R	R/W	Default: 12WiFi
40435-40498	WiFi Password	R	R/W	Default: 88888888
40499	WiFi Channel	R	R/W	0-13 0: auto(default) / 1-13CH
40500-40503	WiFi IP	R	R/W	IP:x.x.x.x default: 192.168.1.1
40504-40507	WiFi MASK	R	R/W	MASK: x.x.x.x default: 255.255.255.0
40508-40511	WiFi GATEWAY	R	R/W	GATEWAY: x.x.x.x Default: 192.168.1.1
40512	WiFi MODBUS ID	R	R/W	INIT*: 0_NOR: 1-255
40513	WiFi LOCAL PORT	R	R/W	1-65535 Default: 502
40514	WiFi REMOTE PORT	R	R/W	1-65535 Default: 2000
40515	WiFi DHCP Enable	R	R/W	0: ENABLE(default) 1: DISABLE
40516	WiFi PROTOCOL	R	R/W	0: Modbus TCP/IP(default) 1: Modbus UDP/IP 2: Modbus RTU Over TCP/IP 3: Modbus RTU Over UDP/IP
40517	WiFi TX POWER	R	R/W	0: Auto(default) step: 1-12
40518-40523	MAC ADDRESS	R	R	EX: 00-05-5D-E8-0F-A3
40222	CJC Value	R	R	-32767 ~ +32767: -327.67 ~ +327.67 Deg.C
40225	Set CJC Offset Value	R	R/W	-32767 ~ +32767: -327.67 ~ +327.67 Deg.C Default: 0
40226-40233	Set The AI0-7 Offset Value (For Thermocouple/Thermistor)	R	R/W	-32767 ~ +32767: -327.67 ~ +327.67 Deg.C Default: 0

For more information, please refer to [www.yottacontrol.com](http://www.yottacontrol.com)





# Address Mapping

## Remote Modules

### Remote Modules

Mapping Table

<b>A-1812</b>				
<b>Supported Modbus Code:</b>	<b>01/02/05/15</b>			
Address 0X	Item	NOR	INIT*	NOTE
00001-00002	0-1 DI Input Signal	R	R	
00065-00066	0-1 Burn-out Signal	R	R	1:Burn-out (4-20mA only)
00067-00068	2-3 Burn-out Signal	R	R	1:Burn-out
00129-01152	0-1023 Auxiliary Memory (M Flag)	R/W	R/W	
<b>Supported Modbus Code:</b>	<b>03/04/06/16</b>			
Address 4X	Item	NOR	INIT*	NOTE
40001-40002	0-1 Current Input Value	R	R	0-20000:0/4-20mA
40003-40004	2-3 Current Input Value	R	R	0-8000:-200-+600° C
40017-40018	0-1 Current Output Value	R/W	R/W	0-4000:0/4-20mA
40033-40034	Power On Analog Output Value	R	R/W	0-4000:0/4-20mA
40049-40050	0-1 Communication Fail Safe Analog Output Value	R	R/W	0-4000:0/4-20mA
40065-40066	0-1 Input Type Code	R	R/W	0:4-20mA 1:0-20mA
40067-40068	2-3 Input Type Code	R	R/W	0:PT-100 $\alpha$ =0.00385 1:PT-100 $\alpha$ =0.003916 2:PT-1000 $\alpha$ =0.00385 3:PT-1000 $\alpha$ =0.003916
40081-40082	0-1 Output Type Code	R	R/W	0:4-20mA 1:0-20mA
40097-40098	0-1 Current Input Value	R	R	4/0-20:4/0-20mA
40099-40100	2-3 Current Input Value	R	R	-200-+600:-200-+600° C
40113-40114	0-1 Current Input Value	R	R	4/0-20:4/0-20mA
40115-40116	2-3 Current Input Value	R	R	-328-+1112:-328-+1112° F
40129-40130	0-1 Current Input Value	R	R	40/0-200:4.0/0-20.0mA
40131-40132	2-3 Current Input Value	R	R	-2000-+6000:-200.0-+600.0° C
40145-40146	0-1 Current Input Value	R	R	40/0-200:4.0/0-20.0mA
40147-40148	2-3 Current Input Value	R	R	-3280-+11120:-328.0-+1112.0° F
40161-40164	0-3 Current Input Value	R	R	0-10000:0.00-100.00% ofFSR
40177	Communication Fail Safe Time Setting Value	R	R/W	0-65535:Disable-65535msec
40178	All DI Value	R	R	
40211	Module Name 1	R	R	
40211	Module Name 2	R	R	
40213	Version 1	R	R	
40214	Version 2	R	R	
40215-40220	1-6 Mac Serial Number	R	R	
40306-40369	0-63 Analog Auxiliary Memory (AM Flag)	R/W	R/W	0-65535
40609-40616	0-3 Current Input Value	R	R	32-bit Floating Value (IEEE754)(Float CD AB)
40641-40648	0-3 Current Input Value	R	R	32-bit Deg.C Floating Value (IEEE754)(Float CD AB)
40673-40680	0-3 Current Input Value	R	R	32-bit Deg.F Floating Value (IEEE754)(Float CD AB)
40705-40712	0-3 Current Input Value	R	R	32-bit Floating Value (IEEE754) (Float AB CD)
40737-40744	0-3 Current Input Value	R	R	32-bit Deg.C Floating Value (IEEE754) (Float AB CD)
40769-40776	0-3 Current Input Value	R	R	32-bit Deg.F Floating Value (IEEE754) (Float AB CD)
40801-40808	0-3 Current Input Value	R	R	32-bit Floating Value (IEEE754) (Float BA DC)
40833-40840	0-3 Current Input Value	R	R	32-bit Deg.C Floating Value (IEEE754) (Float BA DC)
40865-40872	0-3 Current Input Value	R	R	32-bit Deg.F Floating Value (IEEE754) (Float BA DC)
40897-40904	0-3 Current Input Value	R	R	32-bit Floating Value (IEEE754) (Float DC BA)
40929-40936	0-3 Current Input Value	R	R	32-bit Deg.C Floating Value (IEEE754) (Float DC BA)
40961-40968	0-3 Current Input Value	R	R	32-bit Deg.F Floating Value (IEEE754) (Float DC BA)
40500-40503	Ethernet IP	R	R/W	IP:x.x.x default : 192.168.1.1
40504-40507	Ethernet MASK	R	R/W	MASK: x.x.x.x default:255.255.255.0
40508-40511	Ethernet GATEWAY	R	R/W	GATEWAY: x.x.x.x Default:192.168.1.1
40512	Ethernet MODBUS ID	R	R/W	INIT*: 0 ,NOR:1-255
40513	Ethernet LOCAL PORT	R	R/W	1-65535 Default :502
40514	Ethernet REMOTE PORT	R	R/W	1-65535 Default:2000
40515	Ethernet DHCP Enable	R	R/W	0:ENABLE(default) 1:DISABLE
40515	Ethernet PROTOCOL	R	R	0:Modbus TCP/IP(default)
40518-40523	MAC ADDRESS	R	R	EX: 00-05-5D-E8-0F-A3

For more information, please refer to [www.yottacontrol.com](http://www.yottacontrol.com)

# Address Mapping

## Remote Modules

### Remote Modules

20

Mapping Table

<b>A-1819</b>				
<b>Supported Modbus Code:</b>	<b>01/02/05/15</b>			
Address 0X	Item	NOR	INIT*	NOTE
00065-00072	0-7 Burn-out Signal	R	R	1:Burn-out
00129-01152	0-1023 Auxiliary Memory (M Flag)	R/W	R/W	
<b>Supported Modbus Code:</b>	<b>03/04/06/16</b>			
Address 4X	Item	NOR	INIT*	NOTE
40001-40008	0-7 Current Input Value	R	R	0-20000:0-20mA/4-20mA 0-20700:-270~+1800° C
40065-40072	0-7 Input Type Code	R	R/W	0: 4-20mA 1: 0-20mA 2: J(-210-760° C) 3: K(-270~-1,370° C) 4: T(-270-400° C) 5: E(-270-1,000° C) 6: R(0-1,750° C) 7: S(0-1,750° C) 8: B(0-1,800° C) 9: 10K-2 Thermistor(0~+100° C) 10: 10K-3 Thermistor(0~+100° C) 11: 6.8K Thermistor(-10~+100° C) 12: 4.7K Thermistor(-10~+100° C) 13: 3.3K Thermistor(-20~+100° C) 14: 3K Thermistor(-20~+100° C) 15: 2.7K Thermistor(-20~+100° C) 16: 2.25K Thermistor(-20~+100° C) 17: 2.1K Thermistor(-30~+100° C) 18: 2K Thermistor(-30~+100° C) 19: 1.5K Thermistor(-40~+100° C) 20: 1K Thermistor(-40~+100° C)
40097-40104	0-7 Current Input Value	R	R	4/0-20:4/0-20mA -270~+1800~-270~+1800° C
40113-40120	0-7 Current Input Value	R	R	4/0-20:4/0-20mA -168~+3272~-168~+3272° F
40129-40136	0-7 Current Input Value	R	R	40/0-200:4.0/0-20.0mA -2700~+18000~-270.0~+1800.0° C
40145-40152	0-7 Current Input Value	R	R	40/0-200:4.0/0-20.0mA -1680~+32720~-168.0~+3272.0° F
40161-40168	0-7 Current Input Value	R	R	0-10000:0.00-100.00% of FSR
40211	Module Name 1	R	R	
40212	Module Name 2	R	R	
40213	Version 1	R	R	
40214	Version 2	R	R	
40215-40220	1-6 Mac Serial Number	R	R	
40609-40624	0-7 Current Input Value	R	R	32-bit Floating Value (IEEE754)(Float CD AB)
40641-40656	0-7 Current Input Value	R	R	32-bit Deg.C Floating Value (IEEE754)(Float CD AB)
40673-40688	0-7 Current Input Value	R	R	32-bit Deg.F Floating Value (IEEE754)(Float CD AB)
40705-40720	0-7 Current Input Value	R	R	32-bit Floating Value (IEEE754) (Float AB CD)
40737-40752	0-7 Current Input Value	R	R	32-bit Deg.C Floating Value (IEEE754) (Float AB CD)
40769-40784	0-7 Current Input Value	R	R	32-bit Deg.F Floating Value (IEEE754) (Float AB CD)
40801-40816	0-7 Current Input Value	R	R	32-bit Floating Value (IEEE754) (Float BA DC)
40833-40848	0-7 Current Input Value	R	R	32-bit Deg.C Floating Value (IEEE754) (Float BA DC)
40865-40880	0-7 Current Input Value	R	R	32-bit Deg.F Floating Value (IEEE754) (Float BA DC)
40897-40912	0-7 Current Input Value	R	R	32-bit Floating Value (IEEE754) (Float DC BA)
40929-40944	0-7 Current Input Value	R	R	32-bit Deg.C Floating Value (IEEE754) (Float DC BA)
40961-40976	0-7 Current Input Value	R	R	32-bit Deg.F Floating Value (IEEE754) (Float DC BA)
40306-40369	0-63 Analog Auxiliary Memory (AM Flag)	R/W	R/W	0-65535
40500-40503	Ethernet IP	R	R/W	IP:x.x.x.x default : 192.168.1.1
40504-40507	Ethernet MASK	R	R/W	MASK: x.x.x.x default:255.255.255.0
40508-40511	Ethernet GATEWAY	R	R/W	GATEWAY: x.x.x.x Default:192.168.1.1
40512	Ethernet MODBUS ID	R	R/W	INIT*: 0 ,NOR:1-255
40513	Ethernet LOCAL PORT	R	R/W	1-65535 Default :502
40514	Ethernet REMOTE PORT	R	R/W	1-65535 Default:2000
40515	Ethernet DHCP Enable	R	R/W	0:ENABLE(default) 1:DISABLE
40516	Ethernet PROTOCOL	R	R	0:Modbus TCP/IP(default)
40518-40523	MAC ADDRESS	R	R	EX: 00-05-5D-E8-0F-A3
40222	CJC Value	R	R	-32767 ~ +32767: -327.67 ~ +327.67 Deg.C
40225	Set CJC Offset Value	R	R/W	-32767 ~ +32767: -327.67 ~ +327.67 Deg.C Default:0
40226-40233	Set The AI0-7 Offset Value (For Thermocouple/Thermistor)	R	R/W	-32767 ~ +32767: -327.67 ~ +327.67 Deg.C Default:0

For more information, please refer to [www.yottacontrol.com](http://www.yottacontrol.com)



# Address Mapping

## Remote Modules

### Remote Modules

#### Mapping Table

<b>A-1012/A-1012+</b>				
<b>Supported Modbus Code:</b>	<b>01/02/05/15</b>			
Address 0X	Item	NOR	INIT*	NOTE
00001-00002	0-1 DI Input Signal	R	R	
00017-00018	0-1 DO Output Value	R/W	R/W	
00033-00034	0-1 Power On Digital Output Value	R	R/W	
00049-00050	0-1 Communication Fail Safe Value	R	R/W	
00065-00066	0-1 Burn-out Signal	R	R	1:Burn-out (4-20mA only)
00067-00068	2-3 Burn-out Signal	R	R	1:Burn-out
00129-01152	0-1023 Auxiliary Memory (M Flag)	R/W	R/W	
<b>Supported Modbus Code:</b>	<b>03/04/06/16</b>			
Address 4X	Item	NOR	INIT*	NOTE
40001-40002	0-1 Current Input Value	R	R	0-20000:0/4-20mA
40003-40004	2-3 Current Input Value	R	R	0-8000:-200-+600° C
40017-40018	0-1 Current Output Value	R/W	R/W	0-4000:0/4-20mA
40033-40034	Power On Analog Output Value	R	R/W	0-4000:0/4-20mA
40049-40050	0-1 Communication Fail Safe Analog Output Value	R	R/W	0-4000:0/4-20mA
40065-40066	0-1 Input Type Code	R	R/W	0:4-20mA 1: 0-20mA
40067-40068	2-3 Input Type Code	R	R/W	0:PT-100 $\alpha=0.00385$ 1:PT-100 $\alpha=0.003916$ 2:PT-1000 $\alpha=0.00385$ 3:PT-1000 $\alpha=0.003916$
40081-40082	0-1 Output Type Code	R	R/W	0:4-20mA 1: 0-20mA
40097-40098	0-1 Current Input Value	R	R	4/0-20:4/0-20mA
40099-40100	2-3 Current Input Value	R	R	-200-+600:-200-+600° C
40113-40114	0-1 Current Input Value	R	R	4/0-20:4/0-20mA
40115-40116	2-3 Current Input Value	R	R	-328-+1112:-328-+1112° F
40129-40130	0-1 Current Input Value	R	R	40/0-200:4.0/0-20.0mA
40131-40132	2-3 Current Input Value	R	R	-2000-+6000:-200.0-+600.0° C
40145-40146	0-1 Current Input Value	R	R	40/0-200:4.0/0-20.0mA
40147-40148	2-3 Current Input Value	R	R	-3280-+11120:-328.0-+1112.0° F
40161-40164	0-3 Current Input Value	R	R	0-10000:0.00-100.00% ofFSR
40177	Communication Fail Safe Time Setting Value	R	R/W	0-65535:Disable-65535msec
40178	All DI Value	R	R	
40211	Module Name 1	R	R	
40212	Module Name 2	R	R	
40213	Version 1	R	R	
40214	Version 2	R	R	
40215-40220	1-6 Mac Serial Number	R	R	
40300	Module's ID In Normal Mode	R	R/W	1-255
40301	Protocol In Normal Mode	R	R/W	0: RTU 1: ASCII
40302	Baud Rate In Normal Mode	R	R/W	1 : 2400 bps 2 : 4800 bps 3 : 9600 bps 4 : 14400 bps 5 : 19200 bps 6 : 28800 bps 7 : 38400 bps 8 : 57600 bps 9 : 115200 bps 10 : 230400 bps 11 : 460800 bps 12 : 921600 bps
40303	Parity Option In Normal Mode			0 : None 1 : Odd 2 : Even
40304	Stop Bits In Normal Mode	R	R/W	0 : 1 bit 1 : 2 bit
40305	Time Out Setting In Normal Mode	R	R/W	0-65535 msec
40609-40616	0-3 Current Input Value	R	R	32-bit Floating Value (IEEE754)(Float CD AB)
40641-40648	0-3 Current Input Value	R	R	32-bit Deg.C Floating Value (IEEE754)(Float CD AB)
40673-40680	0-3 Current Input Value	R	R	32-bit Deg.F Floating Value (IEEE754)(Float CD AB)
40705-40712	0-3 Current Input Value	R	R	32-bit Floating Value (IEEE754) (Float AB CD)
40737-40744	0-3 Current Input Value	R	R	32-bit Deg.C Floating Value (IEEE754) (Float AB CD)
40769-40776	0-3 Current Input Value	R	R	32-bit Deg.F Floating Value (IEEE754) (Float AB CD)
40801-40808	0-3 Current Input Value	R	R	32-bit Floating Value (IEEE754) (Float BA DC)
40833-40840	0-3 Current Input Value	R	R	32-bit Deg.C Floating Value (IEEE754) (Float BA DC)
40865-40872	0-3 Current Input Value	R	R	32-bit Deg.F Floating Value (IEEE754) (Float BA DC)
40897-40904	0-3 Current Input Value	R	R	32-bit Floating Value (IEEE754) (Float DC BA)
40929-40936	0-3 Current Input Value	R	R	32-bit Deg.C Floating Value (IEEE754) (Float DC BA)
40961-40968	0-3 Current Input Value	R	R	32-bit Deg.F Floating Value (IEEE754) (Float DC BA)
41281-41408	0-127 Analog Auxiliary Memory (AM Flag)	R/W	R/W	0-65535

For more information, please refer to [www.yottacontrol.com](http://www.yottacontrol.com)

# Address Mapping

## Remote Modules

### Remote Modules

Mapping Table

<b>A-1013</b>				
<b>Supported Modbus Code:</b>		<b>01/02/05/15</b>		
Address 0X	Item	NOR	INIT*	NOTE
00001-00002	0-1 DI Input Signal	R	R	
00017-00018	0-1 DO Output Value	R/W	R/W	
00033-00034	0-1 Power On Digital Output Value	R	R/W	
00049-00050	0-1 Communication Fail Safe Value	R	R/W	
00065-00066	0-1 Burn-out Signal	R	R	1:Burn-out (2-10V only)
00067-00068	2-3 Burn-out Signal	R	R	1:Burn-out
00129-01152	0-1023 Auxiliary Memory (M Flag)	R/W	R/W	
<b>Supported Modbus Code:</b>		<b>03/04/06/16</b>		
Address 4X	Item	NOR	INIT*	NOTE
40001-40002	0-1 Current Input Value	R	R	0-10000:0/2-10V
40003-40004	2-3 Current Input Value	R	R	0-8000:-200-+600° C
40017-40018	0-1 Current Output Value	R/W	R/W	0-4000:0/2-10V
40033-40034	Power On Analog Output Value	R	R/W	0-4000:0/2-10V
40049-40050	0-1 Communication Fail Safe Analog Output Value	R	R/W	0-4000:0/2-10V
40065-40066	0-1 Input Type Code	R	R/W	0:2-10V 1: 0-10V
40067-40068	2-3 Input Type Code	R	R/W	0:PT-100α= 0.00385 1:PT-100α= 0.003916 2:PT-1000α= 0.00385 3:PT-1000α= 0.003916
40081-40082	0-1 Output Type Code	R	R/W	0:2-10V 1: 0-10V
40097-40098	0-1 Current Input Value	R	R	0-10:0/2-10V
40099-40100	2-3 Current Input Value	R	R	-200+600:-200-+600° C
40113-40114	0-1 Current Input Value	R	R	0-10:0/2-10V
40115-40116	2-3 Current Input Value	R	R	-328+1112:-328-+1112° F
40129-40130	0-1 Current Input Value	R	R	0-100:0/2-10V
40131-40132	2-3 Current Input Value	R	R	-2000-+6000:-200.0-+600.0° C
40145-40146	0-1 Current Input Value	R	R	0-100:0/2-10V
40147-40148	2-3 Current Input Value	R	R	-3280-+11120:-328.0-+1112.0° F
40161-40164	0-3 Current Input Value	R	R	0-10000:0.00-100.00% of FSR
40177	Communication Fail Safe Time Setting Value	R	R/W	0-65535:Disable-65535msec
40178	All DI Value	R	R	
40211	Module Name 1	R	R	
40212	Module Name 2	R	R	
40213	Version 1	R	R	
40214	Version 2	R	R	
40215-40220	1-6 Mac Serial Number	R	R	
40300	Module's ID In Normal Mode	R	R/W	1-255
40301	Protocol In Normal Mode	R	R/W	0:RTU 1: ASCII
40302	Baud Rate In Normal Mode	R	R/W	1 : 2400 bps 2 : 4800 bps 3 : 9600 bps 4 : 14400 bps 5 : 19200 bps 6 : 28800 bps 7 : 38400 bps 8 : 57600 bps 9 : 115200 bps 10 : 230400 bps 11 : 460800 bps 12 : 921600 bps
40303	Parity Option In Normal Mode			0 : None 1 : Odd 2 : Even
40304	Stop Bits In Normal Mode	R	R/W	0 : 1 bit 1 : 2 bit
40305	Time Out Setting In Normal Mode	R	R/W	0-65535 msec
40609-40616	0-3 Current Input Value	R	R	32-bit Floating Value (IEEE754)(Float CD AB)
40641-40648	0-3 Current Input Value	R	R	32-bit Deg.C Floating Value (IEEE754)(Float CD AB)
40673-40680	0-3 Current Input Value	R	R	32-bit Deg.F Floating Value (IEEE754)(Float CD AB)
40705-40712	0-3 Current Input Value	R	R	32-bit Floating Value (IEEE754)(Float AB CD)
40737-40744	0-3 Current Input Value	R	R	32-bit Deg.C Floating Value (IEEE754)(Float AB CD)
40769-40776	0-3 Current Input Value	R	R	32-bit Deg.F Floating Value (IEEE754)(Float AB CD)
40801-40808	0-3 Current Input Value	R	R	32-bit Floating Value (IEEE754)(Float BA DC)
40833-40840	0-3 Current Input Value	R	R	32-bit Deg.C Floating Value (IEEE754)(Float BA DC)
40865-40872	0-3 Current Input Value	R	R	32-bit Deg.F Floating Value (IEEE754)(Float BA DC)
40897-40904	0-3 Current Input Value	R	R	32-bit Floating Value (IEEE754)(Float DC BA)
40929-40936	0-3 Current Input Value	R	R	32-bit Deg.C Floating Value (IEEE754)(Float DC BA)
40961-40968	0-3 Current Input Value	R	R	32-bit Deg.F Floating Value (IEEE754)(Float DC BA)
41281-41408	0-127 Analog Auxiliary Memory (AM Flag)	R/W	R/W	0-65535

For more information, please refer to [www.yottacontrol.com](http://www.yottacontrol.com)

# Address Mapping

## Remote Modules

### Remote Modules

Mapping Table

A-1019/A-1019+				
<b>Supported Modbus Code:</b>	<b>01/02/05/15</b>			
Address 0X	Item	NOR	INIT*	NOTE
00001-00004	0-3 DI Input Signal	R	R	
00065-00072	0-7 Burn-out Signal	R	R	1:Burn-out
00129-01152	0-1023 Auxiliary Memory (M Flag)	R/W	R/W	
<b>Supported Modbus Code:</b>	<b>03/04/06/16</b>			
Address 4X	Item	NOR	INIT*	NOTE
40001-40008	0-7 Current Input Value	R	R	0-20000:0-20mA/4-20mA 0-20700:-270-+1800° C
40065-40072	0-7 Input Type Code	R	R/W	0: 4-20mA 1: 0-20mA 2: J(-210-760° C) 3: K(-270-1,370° C) 4: T(-270-400° C) 5: E(-270-1,000° C) 6: R(0-1,750° C) 7: S(0-1,750° C) 8: B(0-1,800° C) 9: 10K-2 Thermistor(0-+100° C) 10: 10K-3 Thermistor(0-+100° C) 11: 6.8K Thermistor(-10-+100° C) 12: 4.7K Thermistor(-10-+100° C) 13: 3.3K Thermistor(-20-+100° C) 14: 3K Thermistor(-20-+100° C) 15: 2.7K Thermistor(-20-+100° C) 16: 2.25K Thermistor(-20-+100° C) 17: 2.1K Thermistor(-30-+100° C) 18: 2K Thermistor(-30-+100° C) 19: 1.5K Thermistor(-40-+100° C) 20: 1K Thermistor(-40-+100° C)
40097-40104	0-7 Current Input Value	R	R	4/0-20:4/0-20mA -270-+1800:-270-+1800° C
40113-40120	0-7 Current Input Value	R	R	4/0-20:4/0-20mA -168-+3272:-168-+3272° F
40129-40136	0-7 Current Input Value	R	R	40/0-200:4.0/0-20.0mA -2700-+18000:-270.0-+1800.0° C
40145-40152	0-7 Current Input Value	R	R	40/0-200:4.0/0-20.0mA -1680-+32720:-168.0-+3272.0° F
40161-40168	0-7 Current Input Value	R	R	0-10000:0.00-100.00% ofFSR
40178	All DI Value	R	R	
40211	Module Name 1	R	R	
40212	Module Name 2	R	R	
40213	Version 1	R	R	
40214	Version 2	R	R	
40215-40220	1-6 Mac Serial Number	R	R	
40300	Module's ID In Normal Mode	R	R/W	1-255
40301	Protocol In Normal Mode	R	R/W	0: RTU 1: ASCII
40302	Baud Rate In Normal Mode	R	R/W	1 : 2400 bps 2 : 4800 bps 3 : 9600 bps 4 : 14400 bps 5 : 19200 bps 6 : 28800 bps 7 : 38400 bps 8 : 57600 bps 9 : 115200 bps 10 : 230400 bps 11 : 460800 bps 12 : 921600 bps
40303	Parity Option In Normal Mode	R	R/W	0 : None 1 : Odd 2 : Even
40304	Stop Bits In Normal Mode	R	R/W	0 : 1 bit 1 : 2 bit
40305	Time Out Setting In Normal Mode	R	R/W	0-65535 msec
40609-40624	0-7 Current Input Value	R	R	32-bit Floating Value (IEEE754)(Float CD AB)
40641-40656	0-7 Current Input Value	R	R	32-bit Deg.C Floating Value (IEEE754)(Float CD AB)
40673-40688	0-7 Current Input Value	R	R	32-bit Deg.F Floating Value (IEEE754)(Float CD AB)
40705-40720	0-7 Current Input Value	R	R	32-bit Floating Value (IEEE754)(Float AB CD)
40737-40752	0-7 Current Input Value	R	R	32-bit Deg.C Floating Value (IEEE754)(Float AB CD)
40769-40784	0-7 Current Input Value	R	R	32-bit Deg.F Floating Value (IEEE754)(Float AB CD)
40801-40816	0-7 Current Input Value	R	R	32-bit Floating Value (IEEE754)(Float BA DC)
40833-40848	0-7 Current Input Value	R	R	32-bit Deg.C Floating Value (IEEE754)(Float BA DC)
40865-40880	0-7 Current Input Value	R	R	32-bit Deg.F Floating Value (IEEE754)(Float BA DC)
40897-40912	0-7 Current Input Value	R	R	32-bit Floating Value (IEEE754)(Float DC BA)
40929-40944	0-7 Current Input Value	R	R	32-bit Deg.C Floating Value (IEEE754)(Float DC BA)
40961-40976	0-7 Current Input Value	R	R	32-bit Deg.F Floating Value (IEEE754)(Float DC BA)
41281-41408	0-127 Analog Auxiliary Memory (AM Flag)	R/W	R/W	0-65535
40222	CJC Value	R	R	-32767 ~ +32767: -327.67 ~ +327.67 Deg.C
40225	Set CJC Offset Value	R	R/W	-32767 ~ +32767: -327.67 ~ +327.67 Deg.C Default:0
40226-40233	Set The AI0-7 Offset Value (For Thermocouple/Thermistor)	R	R/W	-32767 ~ +32767: -327.67 ~ +327.67 Deg.C Default:0

For more information, please refer to [www.yottacontrol.com](http://www.yottacontrol.com)







# Address Mapping

## Remote Modules

### Remote Modules

#### Mapping Table

A-1036+				
Supported Modbus Code:	01/02/05/15			
Address 0X	Item	NOR	INIT*	NOTE
00017-00022	0-5 Digital Output Value	R	R	
00081-00086	0-5 PWM Enable	R	R/W	0 Disable, 1:Enable
00097-00099	0-2 AB-Phase Enable	R	R/W	0 Disable, 1:Enable
00113-00115	0-2 Direction of AB-Phase	R/W	R/W	0: Dir+ , 1: Dir-
00129-00131	0-2 Power On Direction of AB-Phase	R	R/W	0: Dir+ , 1: Dir-
00145-00147	0-2 Communication Fail Safe Direction of AB-Phase	R	R/W	0: Dir+ , 1: Dir-
04097-06144	0-2047 Auxiliary Memory (M Flag )	R/W	R/W	
Supported Modbus Code:				
03/04/06/16				
Address 4X	Item	NOR	INIT*	NOTE
40017-40022	0-5 Analog Output Value	R/W	R/W	0-4000: 4-20mA / 0-20mA
40033-40038	0-5 Power On Analog Output Value	R	R/W	0-4000: 4-20mA / 0-20mA
40049-40054	0-5 Communication Fail Safe Analog Output Value	R	R/W	0-4000: 4-20mA / 0-20mA
40081-40086	0-5 Analog Output Type	R	R/W	0: 4-20mA / 1:0-20mA
40097-40102	0-5 Analog Output Value (mA)	R	R	4/0-20 : 4/0mA-20mA
40113-40118	0-5 Analog Output Value (0.1mA)	R	R	40/0-200 : 4.0/0.0mA-20.0mA
40129-40134	0-5 Analog Output Value (0.01mA)	R	R	400/0-2000 : 4.00/0.00mA-20.00mA
40145-40150	0-5 Analog Output Value (FSR)	R	R	0-10000 : 0.00%-100.00% of FSR
40177	Communication Fail Safe Time Setting Value	R	R/W	0-32767 (sec) , 0:Disable
40179	All DO Value	R	R	
40211	Module Name 1	R	R	0x10 0x26
40212	Module Name 2	R	R	0x00 0x00
40213	Version 1	R	R	0x01 0x00
40214	Version 2	R	R	0x00 0x00
40215-40220	1-6 Mac Serial Number	R	R	
40300	Module" s ID In Normal Mode	R	R/W	1-255
40301	Protocol In Normal Mode	R	R/W	0:RTU , 1:ASCII
40302	Baudrate In Normal Mode	R	R/W	0 : 1200 bps , 1 : 2400 bps , 2 : 4800 bps , 3 : 9600 bps 4 : 14400 bps , 5 : 19200 bps , 6 : 28800 bps , 7 : 38400 bps 8 : 57600 bps , 9 : 115200 bps
40303	Parity In Normal Mode	R	R/W	0:none, 1:odd, 2:even
40304	Stop Bits In Normal Mode	R	R/W	0:1 bit , 1:2 bit
40305	Time Out Setting In Normal Mode	R	R/W	0-32767 (ms)
40609-40620	0-5 Current Output Value(32-bit)	R	R	32-bit Floating Value (IEEE754)(Float CD AB)
40641-40652	0-5 Current Output Value(32-bit) (mA)	R	R	32-bit Current Floating Value (IEEE754)(Float CD AB)
40705-40716	0-5 Current Output Value(32-bit)	R	R	32-bit Floating Value (IEEE754)(Float AB CD)
40737-40748	0-5 Current Output Value(32-bit) (mA)	R	R	32-bit Current Floating Value (IEEE754)(Float AB CD)
40801-40812	0-5 Current Output Value(32-bit)	R	R	32-bit Floating Value (IEEE754)(Float BA DC)
40833-40844	0-5 Current Output Value(32-bit) (mA)	R	R	32-bit Current Floating Value (IEEE754)(Float BA DC)
40897-40908	0-5 Current Output Value(32-bit)	R	R	32-bit Floating Value (IEEE754)(Float DC BA)
40929-40940	0-5 Current Output Value(32-bit) (mA)	R	R	32-bit Current Floating Value (IEEE754)(Float DC BA)
41251-41256	0-5 DO Status High Level	R	R/W	400/0-2000 : 4.00/0.00mA-20.00mA
41259-41264	0-5 DO Status Low Level	R	R/W	400/0-2000 : 4.00/0.00mA-20.00mA
41267-41272	0-5 Analog Output Offset (4mA)	R	R/W	-1000-1000
41275-41280	0-5 Analog Output Offset (20mA)	R	R/W	-1000-1000
41409-41414	0-5 Amplitude of PWM	R/W	R/W	0-4000: 4-20mA / 0-20mA
41425-41430	0-5 Frequency of PWM	R/W	R/W	10-10000 (0.05ms/pulse)
41441-41446	0-5 Duty Ratio of PWM	R/W	R/W	0-100(%)
41457-41459	0-2 Amplitude of AB-Phase	R/W	R/W	0-4000: 4-20mA / 0-20mA
41473-41475	0-2 Frequency of AB-Phase	R/W	R/W	10-10000 (0.05ms/pulse)
41489-41494	0-5 Power On Amplitude of PWM	R	R/W	0-4000: 4-20mA / 0-20mA
41505-41510	0-5 Power On Frequency of PWM	R	R/W	10-10000 (0.05ms/pulse)
41521-41526	0-5 Power On Duty Ratio of PWM	R	R/W	0-100(%)
41537-41539	0-2 Power On Amplitude of AB-Phase	R	R/W	0-4000: 4-20mA / 0-20mA
41553-41555	0-2 Power On Frequency of AB-Phase	R	R/W	10-10000 (0.05ms/pulse)
41569-41574	0-5 Communication Fail Safe Amplitude of PWM	R	R/W	0-4000: 4-20mA / 0-20mA
41585-41590	0-5 Communication Fail Safe Frequency of PWM	R	R/W	10-10000 (0.05ms/pulse)
41601-41606	0-5 Communication Fail Safe Duty Ratio of PWM	R	R/W	0-100(%)
41617-41619	0-2 Communication Fail Safe Amplitude of AB-Phase	R	R/W	0-4000: 4-20mA / 0-20mA
41633-41635	0-2 Communication Fail Safe Frequency of AB-Phase	R	R/W	10-10000 (0.05ms/pulse)
44001-46048	0-2047 Analog Auxiliary Memory (AM Flag)	R/W	R/W	

For more information, please refer to [www.yottacontrol.com](http://www.yottacontrol.com)



