



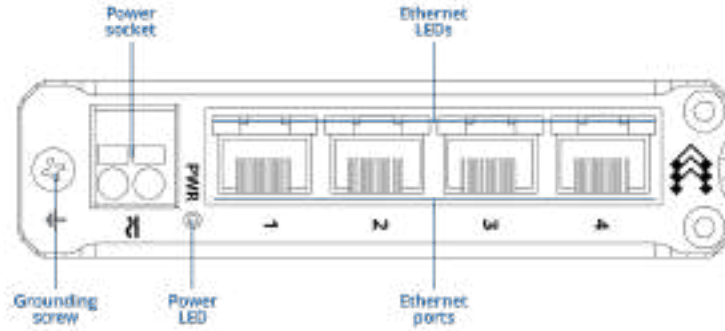
TSW304

v1.12



HARDWARE

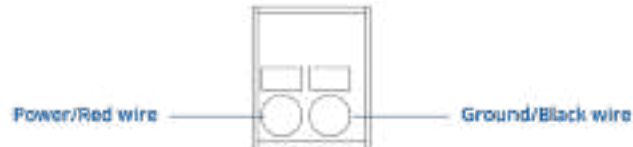
FRONT VIEW



BACK VIEW



POWER SOCKET PINOUT



RJ45 LED MEANING



FEATURES

Ethernet

ETH	4 x ETH ports, 10/100/1000 Mbps, supports auto MDI/MDIX crossover
IEEE 802.3 series standards	802.3i, 802.3u, 802.3ab, 802.3x, 802.3az

INDUSTRIAL PROTOCOLS

Profinet	Profinet Class A conformance (available with optional order code)
-----------------	---

Performance Specifications

Bandwidth (Non-blocking)	8 Gbps
Packer buffer	128 KB
MAC address table size	2K entries
Jumbo frame support	9216 bytes

Power

Connector	2-pin industrial DC power socket
Input voltage range	7 - 57 VDC; 9 - 40 VAC
PoE (passive)	Possibility to power up through ETH1 ports, not compatible with IEEE802.3af, 802.3at and 802.3bt standards, Mode B, 9 - 30 VDC
Power consumption	Idle: 0.26 W / Max: 1.44 W

Physical Interfaces

Ethernet	4 x RJ45 ports, 10/100/1000 Mbps
Status LEDs	8 x ETH status LEDs, 1 x Power LED
Power	1 x 2-pin industrial DC power socket
Other	1 x Grounding screw

Physical Specification

Casing material	Aluminium housing
Dimensions (W x H x D)	102 x 25 x 81.5 mm
Weight	210 g
Mounting options	Integrated DIN rail bracket; wall mount and flat surface (additional kit needed)

Operating Environment

Operating temperature	-40 °C to 75 °C
Operating humidity	5% to 95% non-condensing
Ingress Protection Rating	IP30

Regulatory & Type Approvals

Regulatory	CE, REACH, RoHS, WEEE, UKCA, FCC, IC, CB, RCM
-------------------	---

Safety

Standards	EN IEC 62368-1:2020+A11:2020 IEC 60068-2-6:2007 Environmental testing - Part 2-6 IEC 60068-2-27:2008 Environmental testing - Part 2-27 IEC 60068-2-31:2008 Environmental testing - Part 2-31
------------------	---

ORDERING

STANDARD PACKAGE*



- TSW304
- QSG (Quick Start Guide)
- Packaging box

*Standard package contents may differ based on standard order codes.

For more information on all available packaging options – please [contact us](#) directly.

CLASSIFICATION CODES

HS Code: 851762

HTS: 8517.62.00

AVAILABLE VERSIONS

TSW304 *****0	N/A	TSW304000010 / Standard package
TSW304 *****1	N/A	TSW304000001 / Standard package without PSU
Profinet Class A conformance		

TSW304 SPATIAL MEASUREMENTS

PHYSICAL SPECIFICATION

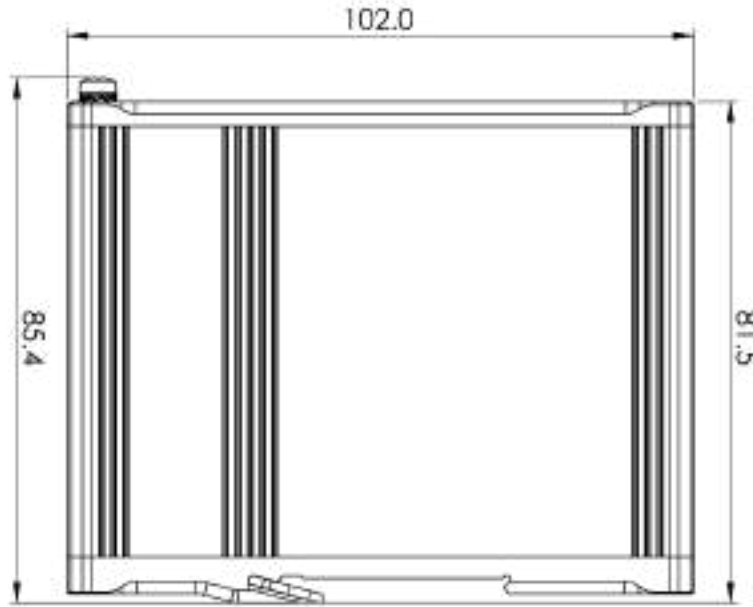
Device housing (W x H x D)* 102 x 25 x 81.5 mm

Box (W x H x D): 175 x 35 x 150 mm

*Housing measurements are presented without antenna connectors and screws; for measurements of other device elements look to the sections below.

TOP VIEW

The figure below depicts the measurements of device and its components as seen from the top:

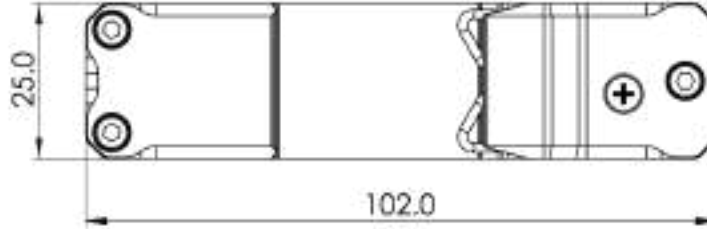
**RIGHT VIEW**

The figure below depicts the measurements of device and its components as seen from the right:

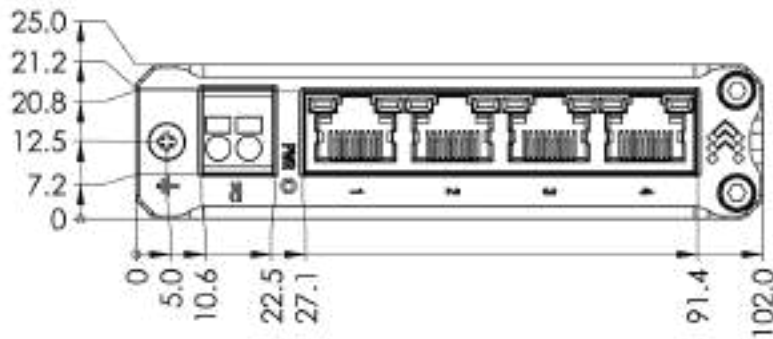


REAR VIEW

The figure below depicts the measurements of device and its components as seen from the back panel side:

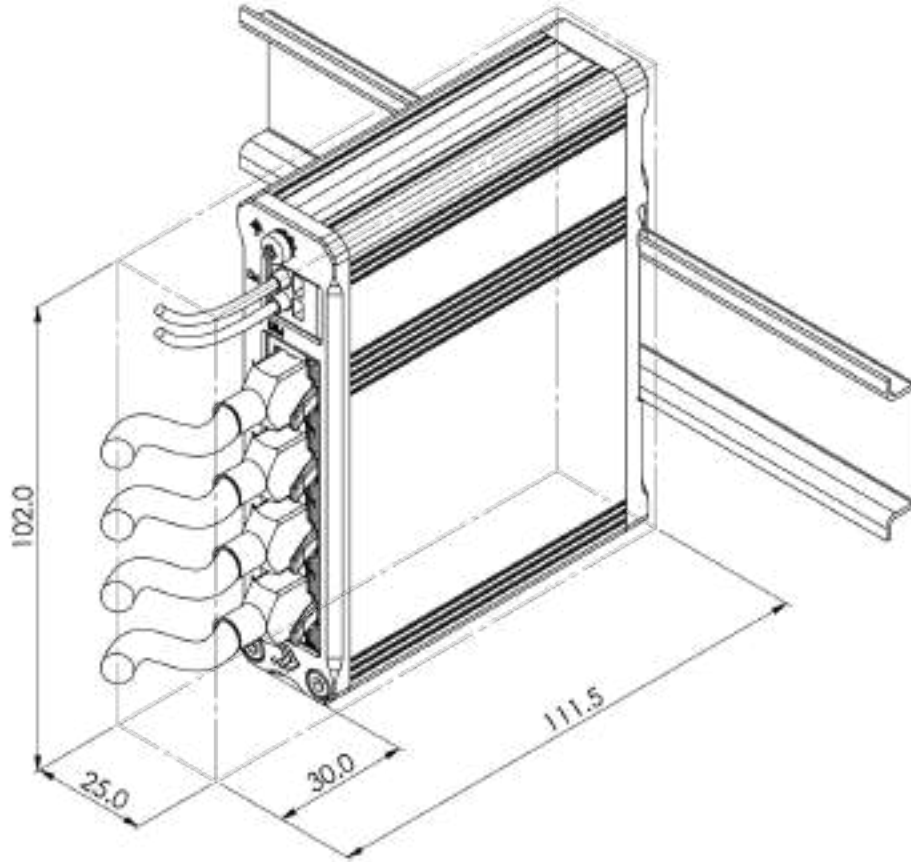
**FRONT VIEW**

The figure below depicts the measurements of device and its components as seen from the front panel side:



MOUNTING SPACE REQUIREMENTS

The figure below depicts an approximation of the device's dimensions when cables and antennas are attached:



DIN RAIL

The scheme below depicts protrusion measurements of an attached DIN Rail:

