

FD502GW-DE-Z410 2GE+ Dual-Band WIFI ONU



Brief Views

FD502GW-DE-Z410 data type ONU is one of the EPON optical network unit design to meet the requirement of the broadband access network. It apply in FTTH/FTTO to provide the data, video service based on the EPON network.

EPON technology is a kind of emerging technology which takes advantage of PON technology and Ethernet technology also is a kind of point to multi-point network technology. OLT through the passive optical network to connect multiple ONU with single fiber bidirectional technical can rarely used fiber resources to meet the operators of the multi-user access requirements.

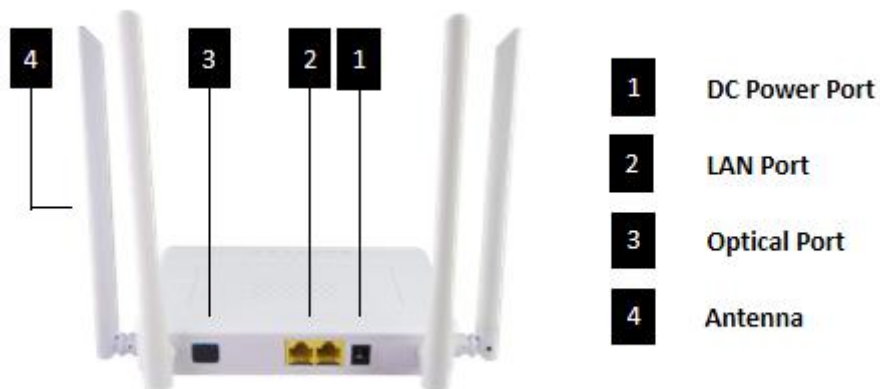
FD502GW-DE-Z410 have a high reliability and provide quality of service guarantee, easy management, flexible expansion and networking. It fully meets the IEEE technical standards and have good compatibility with third party OLT.

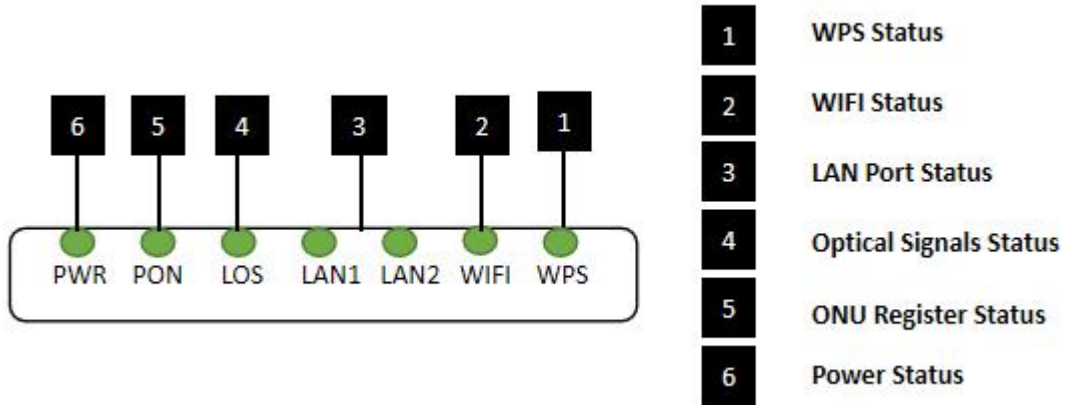
FD502GW-DE-Z410 integrates wireless function which meets 802.11 a/b/g/n/ac technical standards. At the same time, it also supports 2.4GHz/5GHz dual-band wireless signal. It has the characteristics of strong penetrating power and wide coverage. It can provide users with more efficient data transmission security.

Functional Feature

- In compliant with IEEE802.3ah Standard
- Meet 802.11 a/b/g/n/ac WIFI technical standard
- Support ONU auto-discovery/Link detection/remote upgrade of software
- Support VLAN transparent, tag configuration
- Support multicast function
- Support DHCP/Static/PPPOE internet mode
- Support port-binding
- Support OAM+TR069 remote management
- Support data encryption and decryption function
- Support Dynamic Bandwidth Allocation (DBA)
- Support MAC filter and URL access control
- Support power-off alarm function ,easy for link problem detection
- Specialized design for system breakdown prevention to maintain stable system
- EMS network management based on SNMP ,convenient for maintenance

Product Interface and LED Definitions





Indicator			Description
1	WPS	WPS	Blinking: In the connected state, waiting for the device to access; Off: In the not connected state
2	WIFI	WIFI	Blinking: Data is being transmitted On: WIFI function Opens Off: WIFI function Close
3	LAN1-2	LAN Port status	On: Ethernet connection is normal; Blinking: Data is being transmitted through the Ethernet port; Off: Ethernet connection is not set up;
4	LOS	EPON optical signals	On: Optical power lower than receiver sensitivity ; Off: Optical in normal
5	PON	ONU Register	On: Success to register to OLT Blinking: In process of registering to OLT; Off: In process of registering to OLT;
6	PWR	Power status	On: The ONU is power on; Off: The ONU is Power off;

Specification

Item		Parameter
Interface	PON Interface	1 EPON optical interface Meet 1000BASE-PX20+ standard Symmetric 1.25Gbps upstream/downstream SC/UPC single-mode fiber split ratio: 1:64 Transmission distance 20KM
	Ethernet Interface	2*10/100/1000M auto-negotiation Full/half duplex mode RJ45 connector Auto MDI/MDI-X 100m distance
	Power Interface	12V DC Power supply

Performance Parameters	PON Optical Parameter	Wavelength: Tx 1310nm, Rx1490nm Tx Optical Power: 0~4dBm Rx Sensitivity: -27dBm Saturation Optical Power: -3dBm
	Data Transmission Parameter	PON Throughput: Downstream 980Mbps; Upstream 950Mbps Ethernet: 1000Mbps Packet Loss Ratio: <1*10E-12 latency: <1.5ms
Network Management	Management Mode	QAM, TR069, WEB, Telnet
	Management Function	Status monitor, Configuration management, Alarm management, Log management
Physical Features	Power	External 12V DC/1A power supply adapter Power consumption: <7W
	Physical Specifications	Item Dimension: 160mm(L)*139.5mm(W)*28.5mm(H) Item Net Weight: about 239g
	Environmental Specifications	Operating temperature: 0 to 40°C Operating humidity: 10% to 90%(Non-condensing)



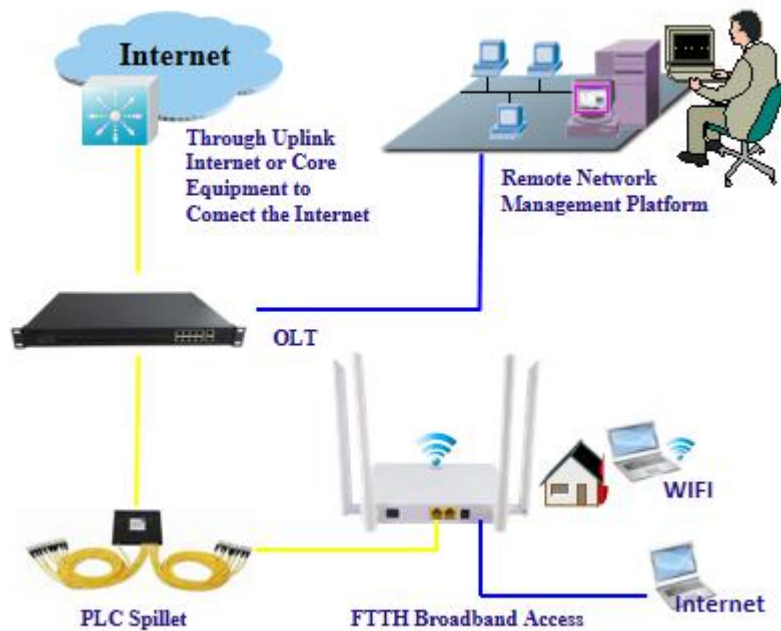
WIFI Features

- Comply with IEEE 802.11a/b/g/n/ac protocol standard, support 2.4GHz and 5GHz
- There are four external antennas
- 5dBi antenna gain
- Maximum ideal rate up to 1.2Gbps
- 2.4GHz supports 2*2 MIMO (Multiple-Input Multiple-Output) technology
- 5GHz supports 2*2 MIMO (Multiple-Input Multiple-Output) technology
- Support 8 SSIDs
- Support wider RF bandwidth, up to 80MHz
- Support higher 256-QAM modulation mode
- Support MIMO-OFDM encoding mode
- Support wireless security of 64/128 bit WEP、802.1x、WPA and WPA2

Network Application

Typical Solution: FTTH

Typical Business: INTERNET, WIFI



Ordering Information

Product Name	Product Model	Descriptions
Dual-Band data type ONU	FD502GW-DE-Z410	2*10/100/1000M Ethernet interface, support dual-band WIFI function, 1 EPON interface, plastic casing, external power supply adapter