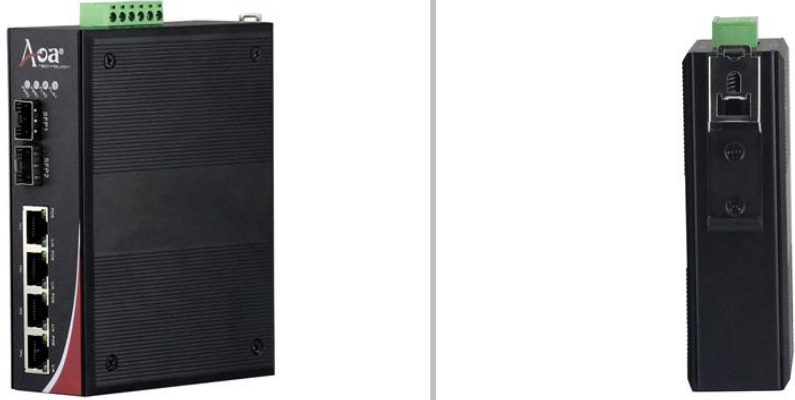


|  |   |
|--|---|
| Item   | Industrial Gigabit Ethernet Switch      |
| Model No.  | IES3204-SFP                             |
| Description  | 4 x 10/100/1000Base-T to 2 x 1000Base-X |
|  |   |

### Overview

The IES3204-SFP is a high performance and cost-effective industrial un-managed switch that meets the high reliability requirements of industrial network operations. It designed to extend the distance of network by converting Gigabit Ethernet data between twisted pair cabling and multi-mode or single-mode fiber-optic cabling.

The IES3204-SFP features 2x 1000Base-X SFP Slot and 4 x 10/100/1000Base-T twisted-pair port. The SFP slot port for any kind of MSA-compliant pluggable 1.25G SFP Transceivers, the twisted-pair port has 4 x RJ-45 connector with a maximum operating distance of 100m.

The IES3204-SFP Industrial Gigabit Ethernet Switch is designed to stand up to extreme temperature, surges, vibrations, and shocks found in industrial automation, government, military, oil & gas, mining and outdoor applications, such as traffic management, oil and gas pipelines.

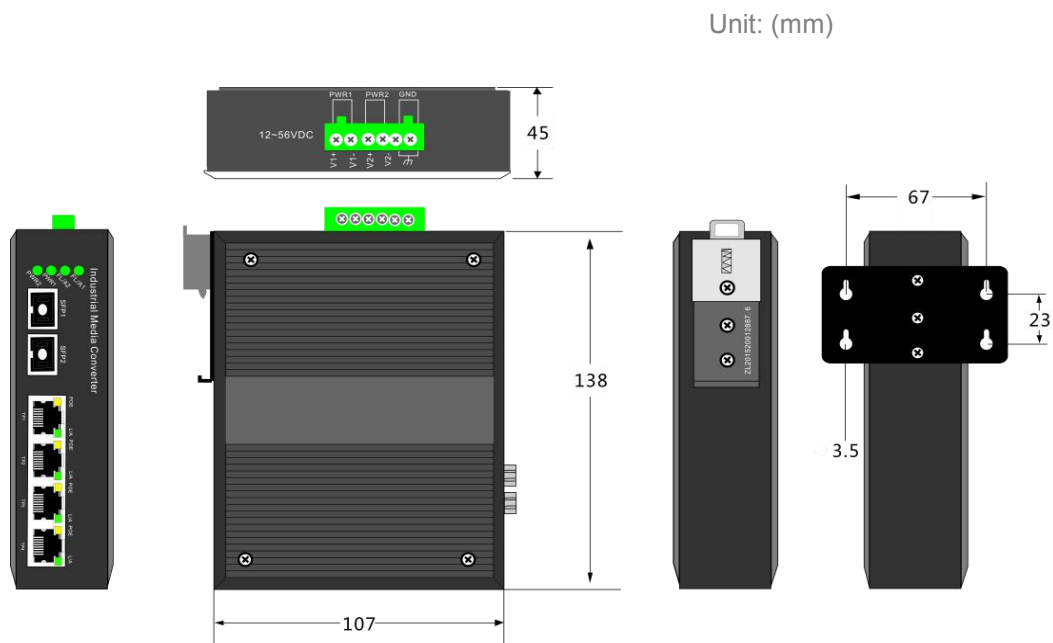
The IES3204-SFP series enables real-time deterministic network operation, requires no configuration and will instantly operate as soon as you power it up. Additionally, they can be installed by DIN-rail or wall-mounted, allowing users to deploy any mix of network conversions required.

Many Backbone switch products now support the industry-standard IEEE802.1Q specification for VLANs that send extra-long data packets on the network. The IFS3402 series switches are fully compatible with these long packets, enabling them to be used in modern networks.

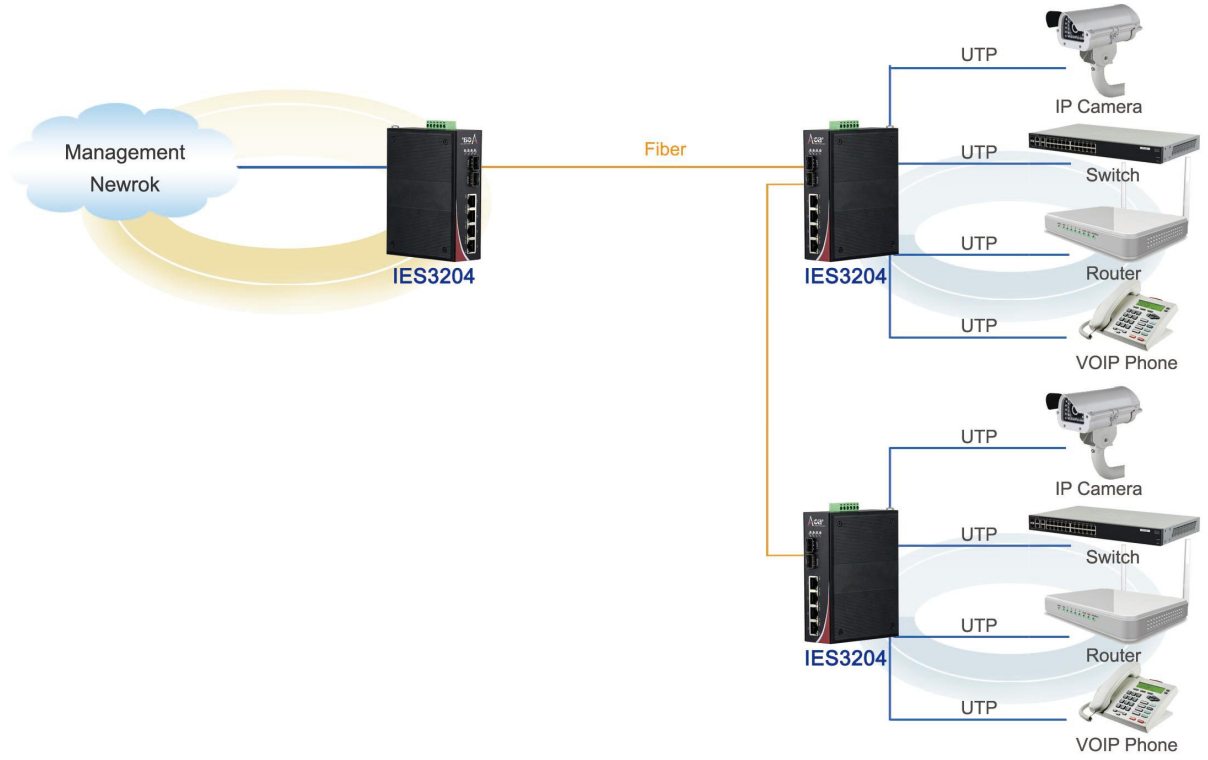
## Features

- Provide 4 x 10/100/1000Base-T
- 2 x 1000Base-X SFP Slot for Daisy-Chain
- RJ45 support auto MDI/MDI-X function
- Auto-negotiation speed, half/full-duplex
- Store-and-forward
- Max packet size: 10K bytes
- Support wide operating temperature (-40 °C ~ +85 °C)
- Wide-range redundant power design (12~56VDC)
- Power polarity reverse protect
- Overload current resettable fuse present
- IP-40 protection
- Provides EFT protection for Power line
- Support Ethernet ESD protection
- DIN-Rail and Wall-Mounted Installation
- Low power consumption

## Structure



## Applications



Technical Specifications

|                          |  |
|--------------------------|--|
| Standards                | IEEE802.3 10Base-T<br>IEEE802.3u 100Base-TX<br>IEEE802.3ab 1000Base-T<br>IEEE802.3z 1000Base-SX/LX standards<br>IEEE802.3x Flow control and back pressure<br>IEEE802.1d Spanning Tree  |
| Performance              | Processing Type : Store and Forward<br>Back Bandwidth: 12Gbps<br>MAC Address Size: 1Kbit<br>Packet Buffer Size: 1Mbit<br>Time Delay: <10us<br>Frame: 10Kbytes  |
| Copper Port              | Data Rate: 10/100/1000M<br>Connector: RJ45 x 4<br>Distance: 100m   |
| Fiber Port               | Data Rate: 1.25G<br>Connector: SFP slot x 2<br>Distance: Up to SFP Transceivers  |
| LED indicators           | PWR1: ON=Power Connected<br>PWR2: ON= Power Connected<br>FL/A: ON=Fiber Connected; Active=Data Transmitting<br>TL/A: ON=Copper Connected; Active= Data Transmitting  |
| Power                    | Input Voltage: 12~56 VDC, redundant power inputs<br>Power Consumption: ≤7W<br>Protection: Overload Current; Reverse Polarity<br>Connector: Terminal Block  |
| Environment              | Operating Temperature: -40 °C ~ +85 °C<br>Storage Temperature: -40 °C ~ +95 °C<br>Relative Humidity: 5-95% (no condensation)   |
| Physical Characteristics | Housing: IP40 Protection, Aluminum Alloy<br>Installation: DIN-rail mounting, wall mounting(with optional kit)<br>Dimension: 138*107*45mm(device); 220*175*73mm(packing)<br>Weight: 0.48kg(device); 0.63kg(device with packing) |

**Standards and Certifications**

|                 |                                 |
|-----------------|---------------------------------|
| EMC             | CE                              |
| EMI             | FCC Part 15 CLASS A             |
| EMS             | IEC 61000-4-2 Level 4 (8K/15K)  |
|                 | IEC 61000-4-3 Level 3 (10V/m)   |
|                 | IEC 61000-4-4 Level 3 (1V/2V)   |
|                 | IEC 61000-4-5 Level 3 (4KV/2KV) |
|                 | IEC 61000-4-6 Level 3 (10V/m)   |
|                 | IEC 61000-4-8 Level 4 (30A/m)   |
| Shock           | IEC 60068-2-27                  |
| Freefall        | IEC 60068-2-32 0.5m             |
| Vibration       | IEC 60068-2-6                   |
| Railway Traffic | EN50121-4                       |

**Order Information**

| Model No.   | Description                   |
|---|-------------------------------|
| IES3204-SFP   | 10/100/1000M 2GX4GE, SFP Slot |
| Note:<br>1. Power supply provided by user or ordered additionally |                               |