

Item	HD-Video to Fiber Converter
Model NO.	HDV-08
Description	8 Channel AHD/TVI/CVI to Fiber Converter
	

Overview

HD Video to fiber converters adopt the advanced uncompressed HD composite video and high velocity digital optical transmission technologies which convert the HD video composite signals to optical signals to achieve long distance(as far as 80Km) transmission through fibers.

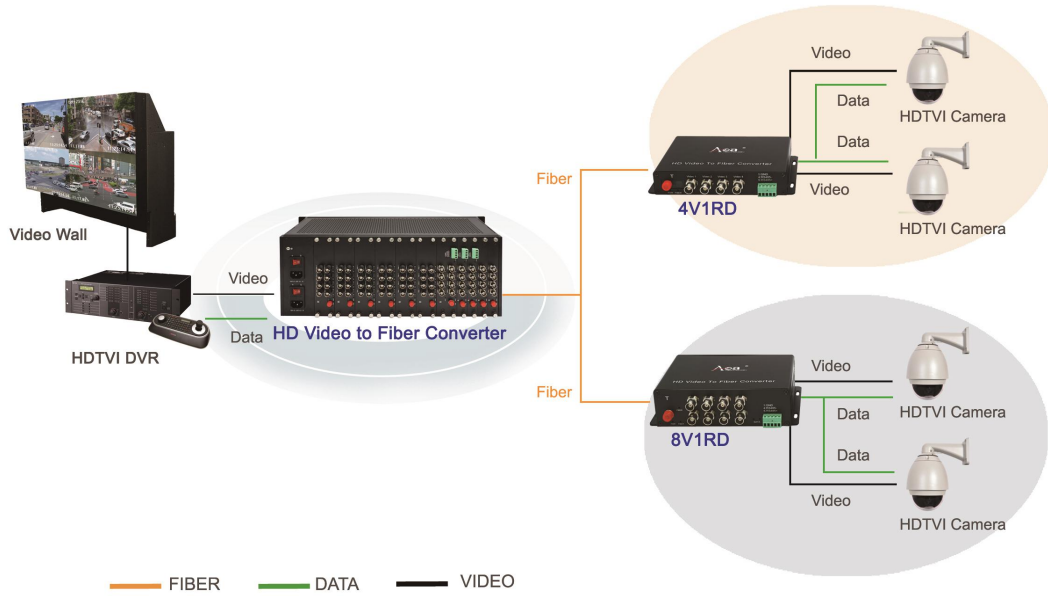
Features

- Non-compression coding technology
- Automatically identify formats of input videos.
- Support transmission of 8 channel HD video signal and controlling data simultaneously though coaxial cable
- DC 5V power supply
- Support 720p/25,720p/30,720p/50,720p/60,1080p/25,1080p/30 videos etc.
- Through LED indicators to inform its functional mode
- Industrial wide range of operational temperature
- Plug and play, simple installation.

Application

- Intelligence Traffic Monitor system (ITS)
- Metro/High-speed way monitor system
- Electric power/ hydraulic Safety Monitor system
- Industrial mining enterprises Security System
- Long-distance multimedia teaching/ Campus Security
- CATV long-distance transmission
- Building Automatic Security System

CCTV/Surveillance solution-HD Video To Fiber Converter



Technical Indexes

Parameter		Specifications
Optical	Interface	FC (default) ,SC,ST (optional)
	Fiber Type	Single mode, single fiber (default)
	Distance	0km~80km
	Wavelength	1310nm/1550nm
HD Video	Interface	BNC
	Input level	>500mVp-p
	Output level	1Vp-p
	Input/Output Impedance	75 Ω
	Bandwidth	30MHz(720P); 60MHz(1080P)
	Digit bit width	8bit
Data	Interface	Standard industrial terminals
	Interface Signals	RS485
	Baud Rate	1200~9600bit/s
	Bit Error Rate	<10 ⁻⁹
General	Indicators	LOS,PWR,VIDEO
	Mean time between failures(MTBF)	>100 000 hours
	Power supply	DC5V/2A(8V-720P) DC5V/3A(8V-1080P 1U Rack)
	Operating Temperature	-20 C~+70 C
	Humidity	0%~95% (non-condensing)
	Dimension	720P Device: 16.7*11.3*4.4mm,0.55kg; 720P Packing: 34.5*21*9mm,1.75kg; 1080P Device: 16.7*11.3*4.4mm,0.65kg; 1080P Packing: 34.5*21*9mm,1.95kg

Order Information

Part No.	Product description
HDV-0807DT	720P; 8-ch HD Video to Fiber; FC 20km; Transmitter
HDV-0807DR	720P; 8-ch HD Video to Fiber; FC 20km; Receiver
HDV-0817DT	720P; 8-ch HD Video + 1-ch return data to Fiber; FC 20km; Transmitter
HDV-0817DR	720P; 8-ch HD Video + 1-ch return data to Fiber; FC 20km; Receiver
HDV-0808DT	1080P; 8-ch HD Video to Fiber; FC 20km; Transmitter
HDV-0808DR	1080P; 8-ch HD Video to Fiber; FC 20km; Receiver
HDV-0818DT	1080P; 8-ch HD Video + 1-ch return data to Fiber; FC 20km; Transmitter
HDV-0818DR	1080P; 8-ch HD Video + 1-ch return data to Fiber; FC 20km; Receiver