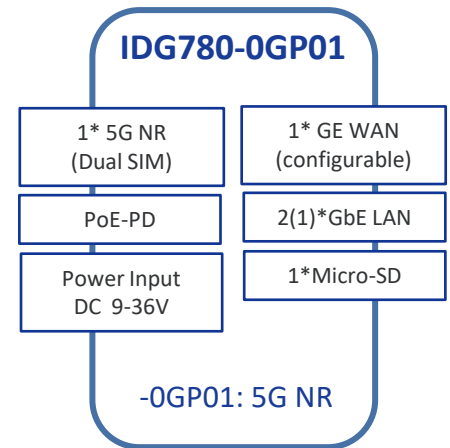


IDG780-0GP01 5G WAN Extender



The IDG780 has various interfaces include 5G-NR cellular and Gigabit-Ethernet to provide internet uplink. It provides capability of WAN extender and can handle different networking interfaces to have a robust connection for end devices. Beside the DC 9-36V power input, it also has a PoE-PD input with the configurable LAN/WAN port to make the deployment more flexible. Industrial design also makes the device to operate in a harsh environment. 5G-NR cellular helps the device to replace original Gigabit-level fixed line and make the service available where people need it.



Applications:

- Professional A/V
- IP Surveillance
- Manufacturing
- Site Survey (Drone)

High-Speed Network

- 5G-NR with EN-DC and CA Support
- Gigabit-Ethernet

Securer Data Access

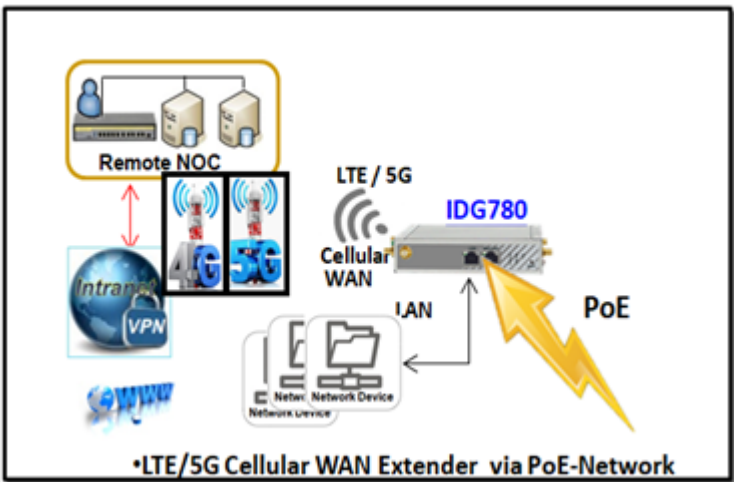
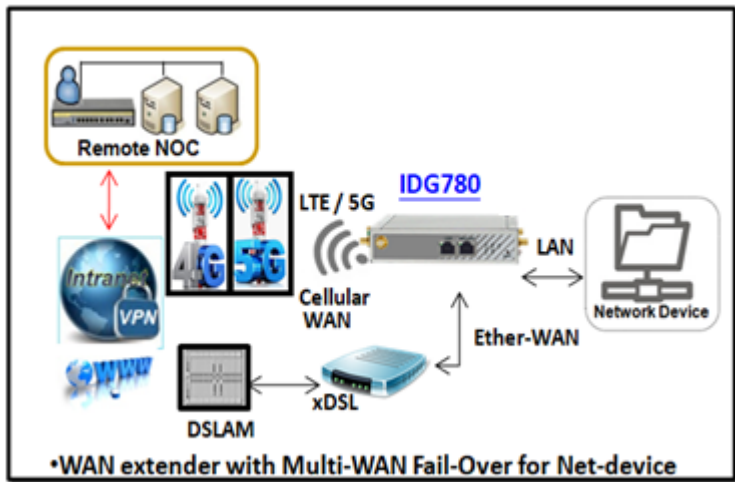
- SPI Firewall, VPN
- TR-069, SNMP Remote Management

Reliable & Redundant WAN

- Multi-WAN Failover
- 5G NR, Gigabit Ethernet

Industrial Design

- -30 ~ 60 °C Operation Temperature
- DC 9-36V Power Input or PoE-PD



Specification Summary

Device Interface

- **Cellular Module:** 1*5G/LTE, 3GPP Rel. 15
- **5G NR:** n1/n2/n3/n5/n7/n8/n12/n20/n25/n28/n38/n40/n41/n48/n66/n71/n77/n78/n79
- **LTE Band:**
FDD: B1-B5/B7/B8/B12-B14/B17-B20/B25/B26/B28-B30/B32/B66/B71
TDD: B34/B38/B39-B43/B48
- **3G Band:** B1/B2/B3/B4/B5/B6/B8/B19
- **Ethernet:** 1(2)*RJ45 GbE
- **SIM:** 2*SIM(3FF)
- **Storage:** 1*Micro-SD
- **Power Input:** 1* DC 9V ~ 36V (Terminal Block) or PoE-PD
- **Antenna Con.:** 4*SMA (F)-5G/LTE

WAN & Uplink

- **WAN:** Cellular & Ether-WAN; Failover
- **Cellular:** 5G/LTE, IPv4/6
- **Ether-WAN:** Dynamic IP, Static IP, PPPoE, PPTP, L2TP
- **Network Monitor:** ICMP/DNS Query

Protocol

- **LAN & VLAN:** DHCP Server/Relay, Port/Tag based VLAN
- **IPv6:** Dual Stack, Static IPv6, DHCPv6, PPPoEv6
- **Port Forward:** NAT 1-1, 1-many, DMZ, Virtual Server & Computer, VPN Pass-through
- **Routing*:** Static, Dynamic - RIP1/RIP2

Object

- **Scheduling:** Time Schedule List
- **Grouping:** Host Grouping List
- **Ext. Server:** Email, Syslog, RADIUS, SCEP, FTP, DDNS, IGMP
- **Certificate:** My Certificate, Trusted Certificate, Issue Certificate

Security

- **VPN Tunneling:** IPSec, OpenVPN, PPTP, L2TP, GRE
- **Scenario:** Site/Host, Client
- **Firewall*:** SPI Firewall with Stealth Mode, IPS
- **Access Control*:** Packet Filter, URL Blocking, MAC Filter

Administration

- **Configuration:** Web UI, CLI, Command Script
- **Management:** SNMPv3 Std. & AMIT MIB, TR-069
- **System:** Upgrade, Backup & Restore, Reboot & Reset, Syslog
- **Diagnostic:** Packet Analyzer, Diagnostic Tools

Service

- **Cellular Toolkit:** Data Usage, SMS, SIM PIN, Network Scan
- **SMS Management:** WAN Connection control and notify by SMS
- **Network Service:** Dynamic DNS, Time Sync
- **Scheduling:** System Reboot, Function On / Off

Environment

- **Operation Temperature:** -22°F-140°F (-30°C-60°C)
- **Storage Temperature:** -40°F-185°F (-40°C-85°C)
- **Humidity:** 10%~95% (non-condensing)
- **Enclosure:** Metal, DIN Rail kit
- **Dimension:** 131(L)x100(W)x30(H)mm
(w/o mounting brackets)

Certification

- FCC (*)
- IC/ISED (*)
- CE/RED(*)

Carrier Approval

- AT&T(*)
- Verizon(*)

Package Accessory

- 1*IDG780-0GP01
- 4*Cellular Antenna
- 1*Power Adapter DC 12V/2A
- 1*2 Pins Terminal Block
- 1*DIN Rail Kit
- 1*Screw Bag
- 1*RJ45 Cable
- 4*Rubber feet

Note

- Specifications are subject to change without prior notice.
- Certifications and carrier approvals are under planning.

AMIT Wireless Inc.

TEL: +886 (0)6 505 8026 FAX: +886 (0)6 505 8068

Web: <http://www.amitwireless.com> Email: sales@amit.com.tw

No. 28, Lane 31, Huandong Rd., Sec. 1, Xinshi Dist., Tainan City 74146, Taiwan (R.O.C.)