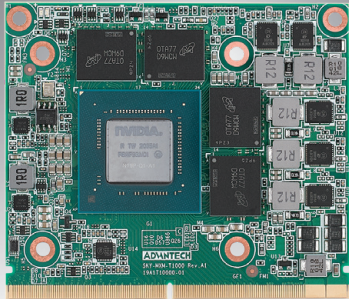


SKY-MXM-T1000

MXM 3.1 Type A NVIDIA® Quadro® Embedded T1000 with DP 1.4a

NEW



Features

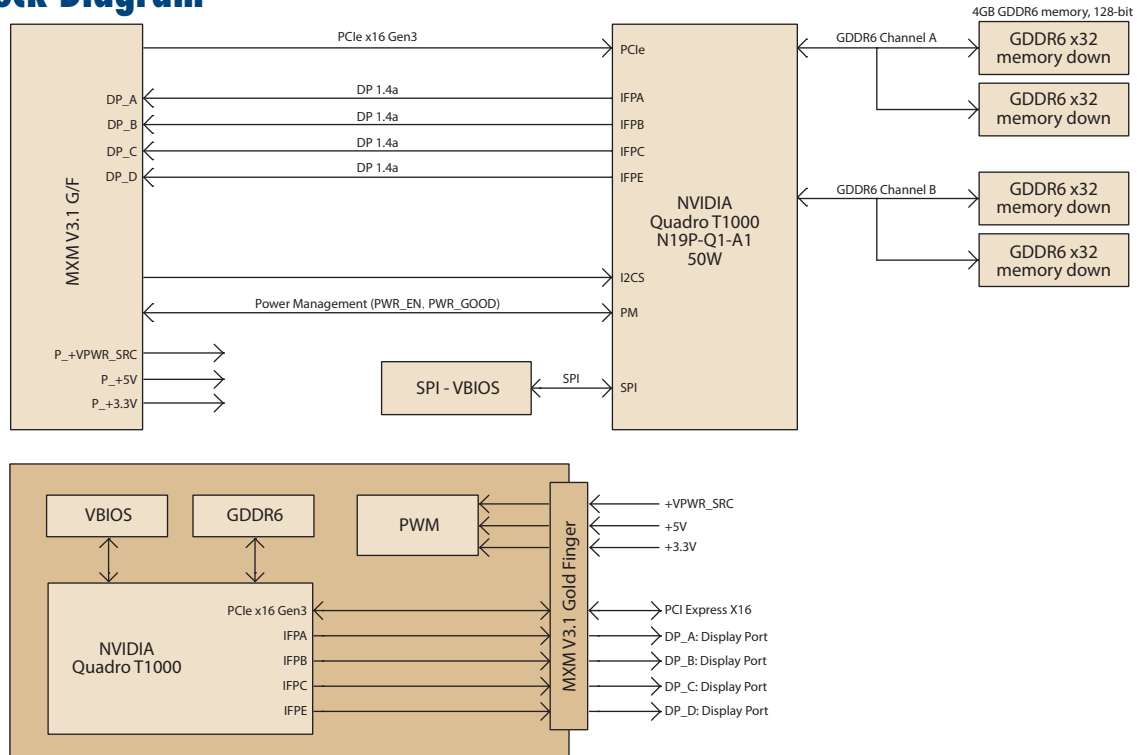
- NVIDIA® Quadro® T1000 with MXM 3.1 TYPE A form factor(82 x 70 mm)
- Up to 896 CUDA cores , 2.6 TFLOPS
- GDDR6 4GB memory, 128-bit, bandwidth 192 GB/s
- Up to 4 x DisplayPort 1.4a outputs
- Long life cycle, supports 5 years availability

CE FCC

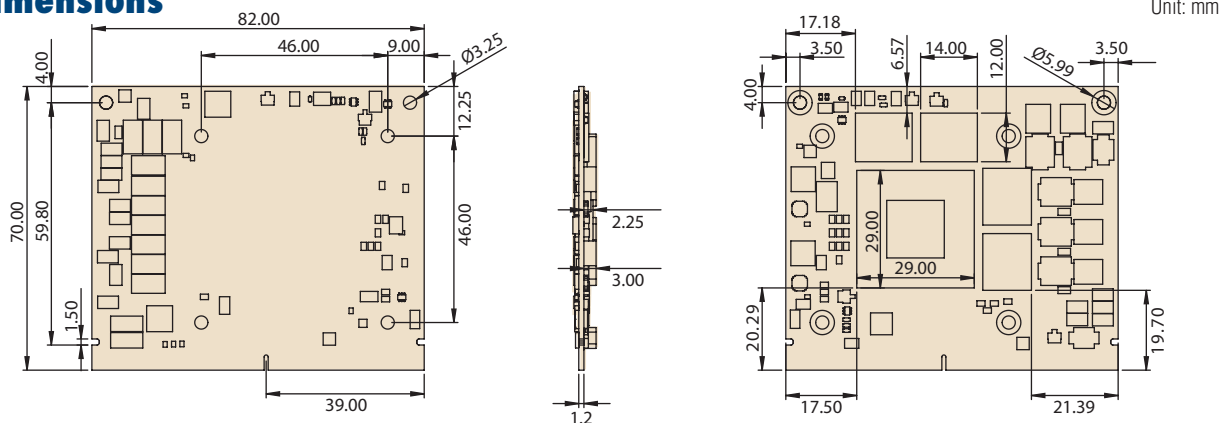
Specifications

Processor System	GPU	Quadro® T1000	
	Graphic Architecture	NVIDIA® Turing™ TU117	
	CUDA Parallel-Processing Cores	896 CUDA® cores	
	GPU Base/Boost Clock	1395 MHZ / 1650 MHZ	
	FP32 Performance	2.6 TFLOPS	
Memory	Technology	GDDR6 4GB memory	
	Interface Width	128-bit	
	Bandwidth	192 GB/s	
Graphics	DP	4 x DisplayPort 1.4a, 4K at 120Hz or 8K at 60Hz (Requires DSC) Support HDMI 2.0 via DP dual-mode, 4K at 60Hz	
Bus	PCI express 3.0	MXM 3.1, PCI Express Gen3 x16 supports	
Power Consumption	Max Power Consumption	50W	
Environment	Temperature	Operating	Non-Operating
		0 ~ 55 °C (dependent on CPU and cooler solution)	-40 ~ 85 °C
	Humidity	40 °C @ 85% relative humidity (non-condensing)	60 °C @ 95% relative humidity (non-condensing)
Physical	Dimensions	82 (W) x 70 (D) mm	
	Form Factor	MXM 3.1 Type A	
OS	Microsoft	Windows 10, 64-bit	
	Linux	Linux Drivers, 64-bit	

Block Diagram



Dimensions



Ordering Information

Part Number	GPU Memory	GPU Base/Boost Clock	FP32 Performance	Max Power Consumption	Display Connectors	Supported Features
SKY-MXM-T1000-4SDB	4GB GDDR6	1395 MHZ / 1650 MHZ	2.6 TFLOPS	50W	DP 1.4 * 4	Discrete Mode
SKY-MXM-T1000-4SHB	4GB GDDR6	1395 MHZ / 1650 MHZ	2.6 TFLOPS	50W	DP 1.4 * 4	MS Hybrid Mode

Optional Accessory

Part Number	Description
1970004906T001	T1000 Heat Spreader
1970004581T010	T1000 Cooler