

IES1200 Series

19-inch 1U Rack Mounting

28-port 100M/Gigabit Unmanaged Industrial Ethernet Switch

- Support 8/16/20/22//24 100M copper ports, 2/4/8/16 100M fiber ports and 4 Gigabit COMBO ports, in which Gigabit RJ45 or Gigabit SFP slots can be selected for COMBO ports
- Support 2 relay alarm outputs, which is used for power failure alarm, and can be externally connected with buzzer, alarm indicator or other switching value collection device
- 2 24/48VDC (18-72VDC) or 2 110/220VAC (85~264VAC/DC) redundant power inputs
- Support -40~75°C wide operating temperature range
- Support IP40 protection grade



Introduction

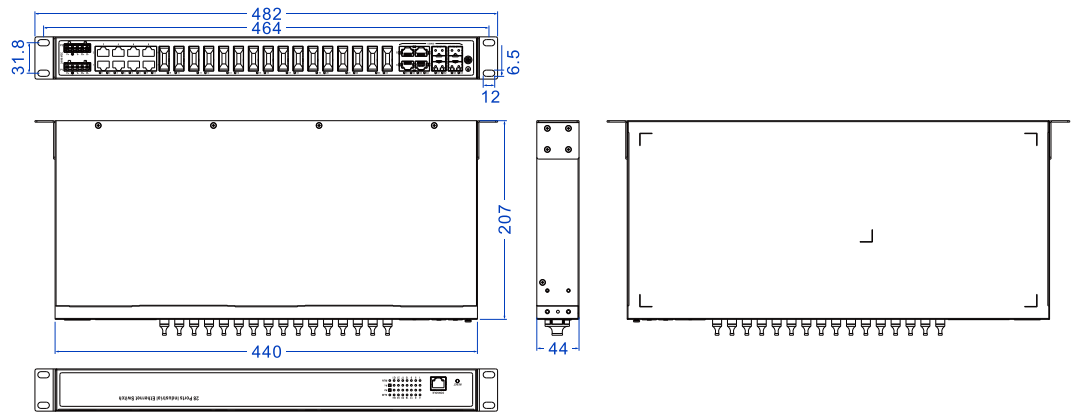
IES1200 series are 28-port 100M/Gigabit unmanaged industrial Ethernet switches. This series has 10 products to choose from, providing 100M copper port, 100M fiber port, and Gigabit COMBO port. Copper ports can negotiate the port rate and duplex mode with the device at the opposite end through self-negotiation. Support 18~72VDC or 85~264VAC power supply scheme, and adopt rack installation mode, which can meet the requirements of different application sites.

RESET button can reboot the device. The input power supply is two independent power supply circuits which can ensure the normal operation of the device when one power supply fails. When power supply has link failure, ALM indicator will be bright and send out alarm, meanwhile, alarm device connected to the relay will send out alarm for rapid scene troubleshooting. Hardware adopts fanless, low power consumption, wide temperature design and has passed rigorous industrial standard tests, which can suit for the industrial scene environment with harsh requirements for EMC. It can be widely used in smart grid, rail transit, smart city, safety city, new energy, intelligent manufacturing and other industrial fields.

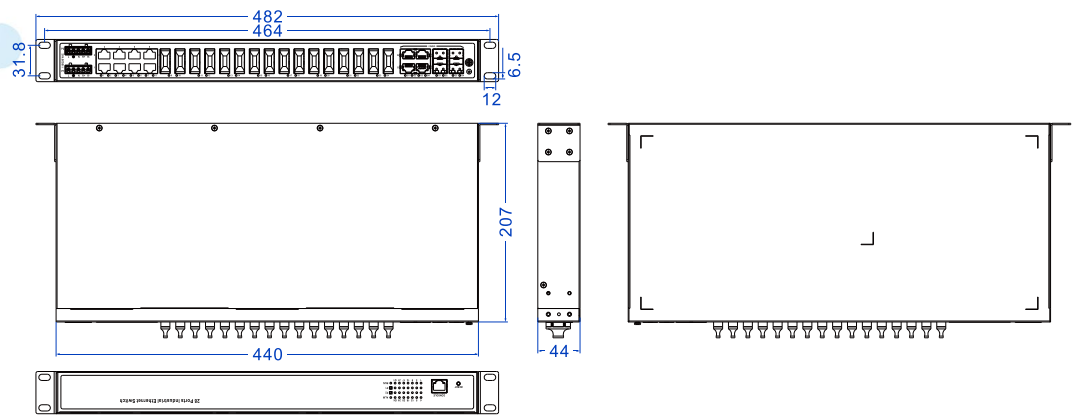
Dimension

Unit: mm

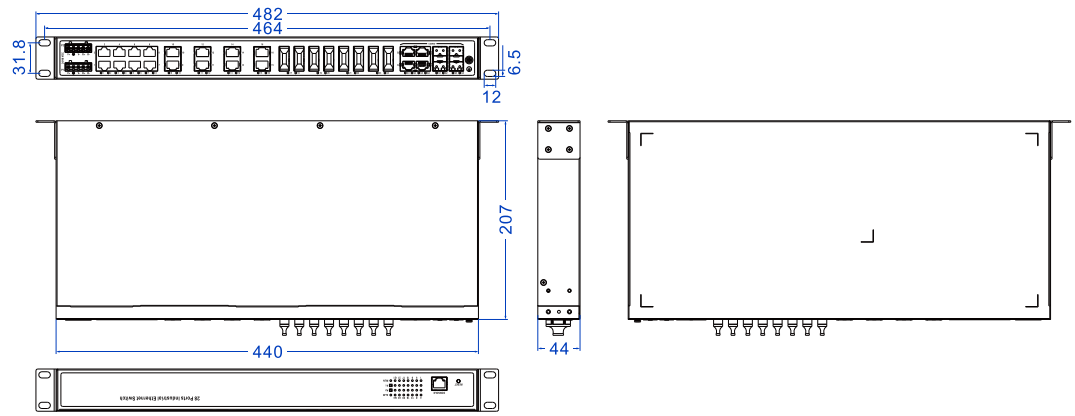
- IES1200-8T16F4GC-2LV



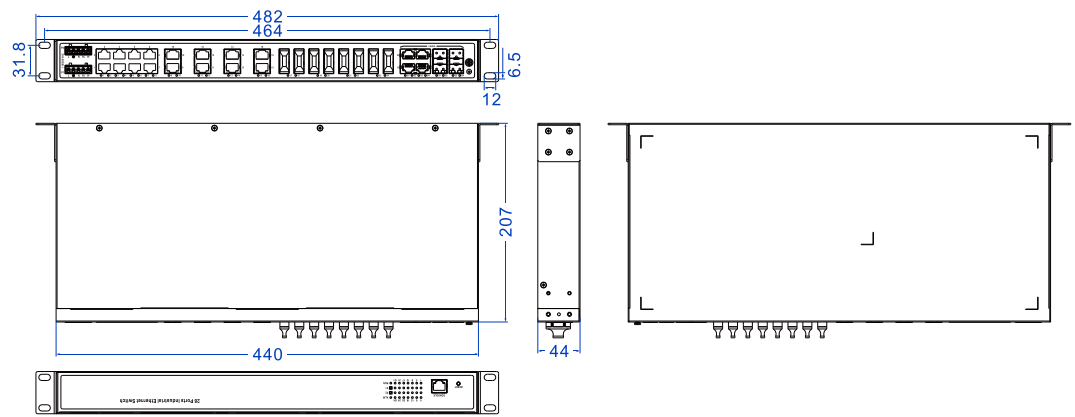
- IES1200-8T16F4GC-2HV



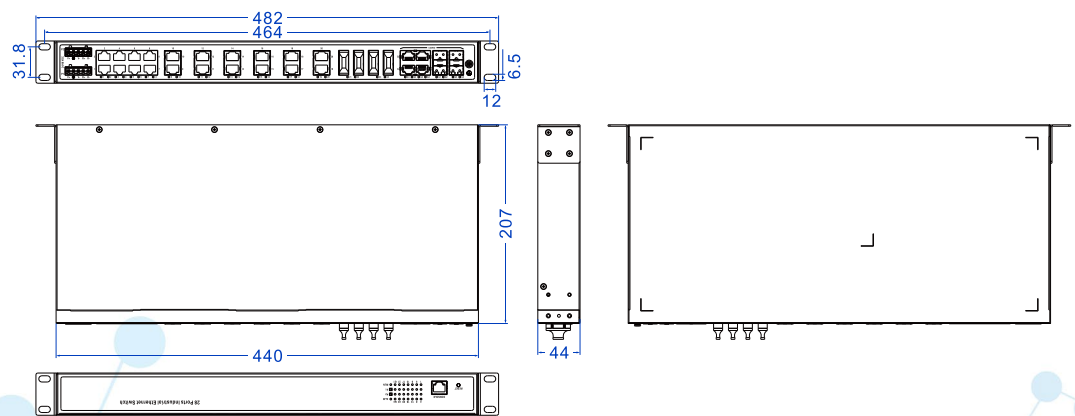
● IES1200-16T8F4GC-2LV



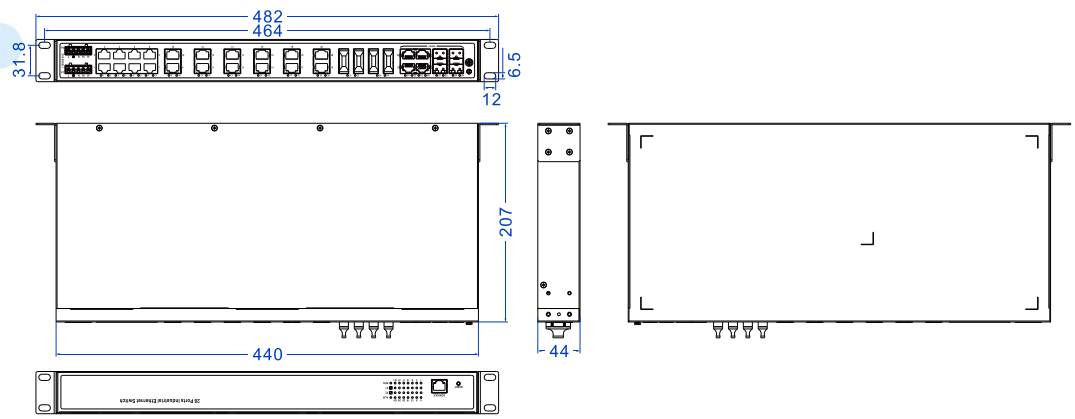
● IES1200-16T8F4GC-2HV



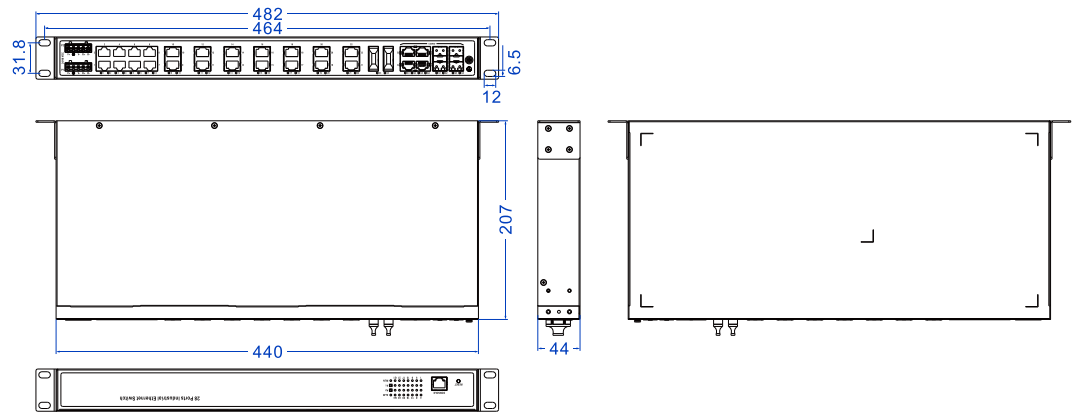
● IES1200-20T4F4GC-2LV



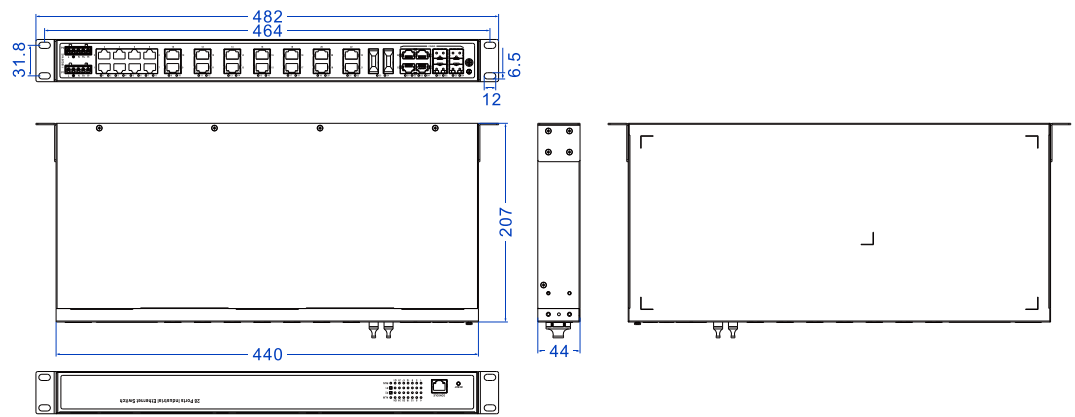
● IES1200-20T4F4GC-2HV



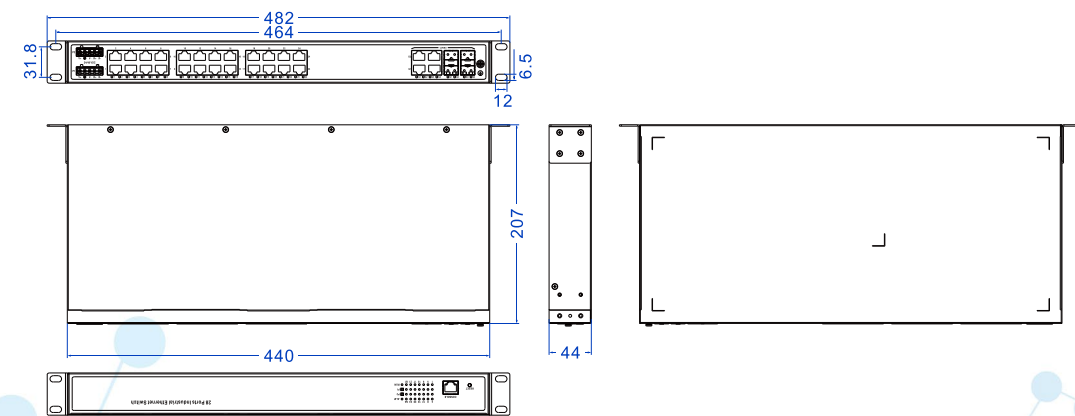
● IES1200-22T2F4GC-2LV



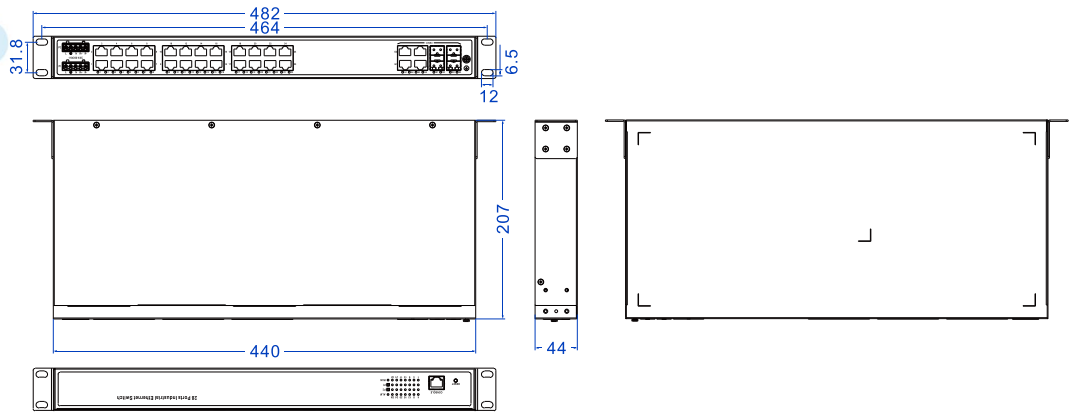
● IES1200-22T2F4GC-2HV



● IES1200-24T4GC-2LV



● IES1200-24T4GC-2HV



Specification

<p>Standard & Protocol</p>	<p>IEEE 802.3 for 10Base-T IEEE 802.3u for 100Base-TX and 100Base-FX IEEE 802.3ab for 1000Base-T IEEE 802.3z for 1000Base-X IEEE 802.3x for Flow Control</p>
<p>Interface</p>	<p>100M copper port: 10/100Base-T(X) self-adaption, RJ45, Automatic Flow Control, Full/Half Duplex Mode, MDI/ MDI-X Autotuning 100M fiber port: 100Base-X, optional SC/ST/FC Gigabit Combo port: 10/100/1000Base-T(X) self-adaptive RJ45 or 1000Base-X SFP slot CONSOLE port: CLI command line management port(RS-232), RJ45 Relay: support 2 relay alarm outputs, adopt 2 5-pin 5.08mm pitch terminal blocks, the relay occupies the right 2 pins, the current carrying capacity is 1A@30VDC or 0.3A@125VAC</p>
<p>Indicator</p>	<p>Power indicator, running indicator, alarm indicator, interface indicator</p>
<p>Switch Property</p>	<p>Transmission mode: store and forward MAC address: 8K Cache: 4.1Mbit Backplane bandwidth: 12.8Gbps Switch delay: <10μs</p>
<p>Power Supply</p>	<p>Adopt 2 5-pin 5.08mm pitch terminal blocks (power supply occupies the left 3 pins)</p> <ul style="list-style-type: none"> DC Product 2 24/48VDC (18~72VDC), redundant power input, support non-polarity

	<ul style="list-style-type: none"> AC product 2 110/220VAC (85~264VAC/DC) redundant power inputs 		
Power Consumption	Model	No-load	Full-load
	IES1200-8T16F4GC-2LV	20.7W@48VDC	23.6W@48VDC
	IES1200-8T16F4GC-2HV	21.2W@220VAC	23.8W@220VAC
	IES1200-16T8F4GC-2LV	13.69W@48VDC	18.76W@48VDC
	IES1200-16T8F4GC-2HV	13.1W@220VAC	16.7W@220VAC
	IES1200-20T4F4GC-2LV	10.5W@48VDC	15.6W@48VDC
	IES1200-20T4F4GC-2HV	9.3W@220VAC	13.6W@220VAC
	IES1200-22T2F4GC-2LV	7.5W@48VDC	11.8W@48VDC
	IES1200-22T2F4GC-2HV	8.9W@220VAC	14.1W@220VAC
	IES1200-24T4GC-2LV	5.9W@48VDC	10.8W@48VDC
	IES1200-24T4GC-2HV	6.2W@220VAC	12.3W@220VAC

Working Environment

Operating temperature: -40~75℃
Storage temperature: -40~85℃
Relative humidity: 5%~95% (no condensation)

Mechanical Structure	Housing: IP40 protection, metal
	Installation: 19-inch 1U rack mounting
	Dimension (W x H x D): 440mm×44mm×207mm (lugs are not included)
	Weight:
	● IES1200-8T16F4GC-2LV: 2.411kg
	● IES1200-8T16F4GC-2HV: 2.658kg
	● IES1200-16T8F4GC-2LV: 2.361kg
	● IES1200-16T8F4GC-2HV: 2.608kg
	● IES1200-20T4F4GC-2LV: 2.370kg
	● IES1200-20T4F4GC-2HV: 2.671kg
	● IES1200-22T2F4GC-2LV: 2.363kg
● IES1200-22T2F4GC-2HV: 2.682kg	
● IES1200-24T4GC-2LV: 2.223kg	
● IES1200-24T4GC-2HV: 2.566kg	

Industrial Standard

IEC 61000-4-2 (ESD, electronic static discharge), Level 4

- Contact discharge: ±8kV
- Air discharge: ± 15kV

IEC 61000-4-4 (EFT, electrical fast transient pulses), Level 4

- Power supply: ±4kV
- Copper port: ±2kV
- Relay: ±4kV

IEC 61000-4-5 (Surge), Level 4

- Power supply: differential mode±2kV, common mode±4kV

- Copper port: differential mode±2kV, common mode±4kV
- Relay: differential mode±2kV, common mode±4kV

Shock: IEC 60068-2-27

Free fall: IEC 60068-2-32

Vibration: IEC 60068-2-6

Authentication

CE, FCC, RoHS

Warranty

5 years

Ordering Information

Model	100M Copper Port	100M Fiber Port	Gigabit COMBO Port	Power Supply
IES1200-8T16F4GC-2LV	8	16	4	2 24/48VDC (18~72VDC) redundant power inputs
IES1200-16T8F4GC-2LV	16	8	4	
IES1200-20T4F4GC-2LV	20	4	4	
IES1200-22T2F4GC-2LV	22	2	4	
IES1200-24T4GC-2LV	24	—	4	2 110/220VAC (85~264VAC/DC) redundant power inputs
IES1200-8T16F4GC-2HV	8	16	4	
IES1200-16T8F4GC-2HV	16	8	4	
IES1200-20T4F4GC-2HV	20	4	4	
IES1200-22T2F4GC-2HV	22	2	4	
IES1200-24T4GC-2HV	24	—	4	



Address: 3/B, Zone 1, Baiwangxin High Technology Industrial Park, Song Bai Road, Nanshan District, Shenzhen, 518108, China

TEL.: +86-755-26702668 ext 835 FAX: +86-755-26703485

E-mail: ics@3onedata.com

Website: www.3onedata.com

◀ Please scan our QR code for more details

*Product pictures and technical data in this datasheet are only for reference. Updates are subject to change without prior notice. The final interpretation right is reserved by 3onedata.