



IMF2100 Series

DIN-Rail Mounting

1/2 Fiber Ports +1 RS-232/485/422 Serial to Fiber MODEM

- Support 1/2 fiber ports and 1 RS-232/485/422 serial port with isolation
- Support 1 relay alarm output for power failure and disconnection of fiber optics
- Support multiple optional power solutions including 85~265VAC, 110~370VDC or 12-48VDC (single/dual power supply)
- Support -40~75°C wide operating temperature range



Introduction

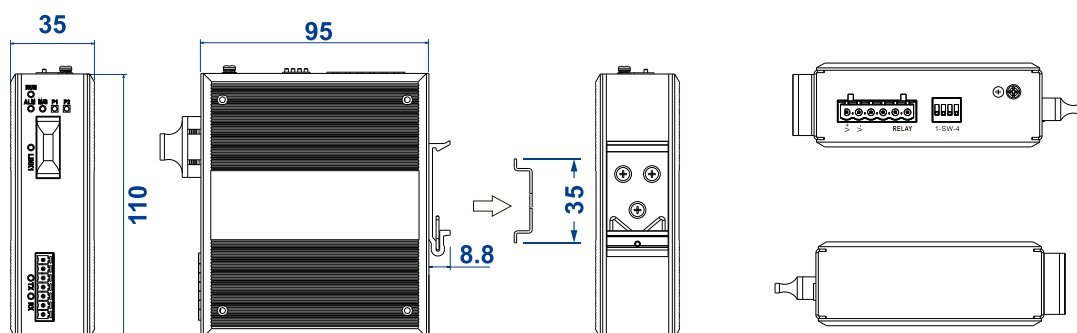
IMF2100 series are 1/2 fiber ports + 1 RS-232/485/422 serial to fiber MODEM. They convert RS-232/485/422 serial port signal to optical signal and provide users with RS-232/485/422 serial port to implement transparent end-to-end transmission. This series provide 1 or 2 fiber ports with ring network function, 1 RS-232/485/422 serial port and multiple optional power solutions like 85~265VAC, 110~370VDC or 12-48VDC (single/dual power supply). They adopt DIN-Rail mounting, which can meet the requirements of different scenes.

The DIP switch could implement functions like Master/Slave option, RS-485 terminal resistance enablement, relay alarm of power failure and fiber optics disconnection (notes: power supply alarm is only for dual power supply product), etc. when fiber optics disconnects or dual power supply fails, ALM indicator would be bright and send alert, at the same time the alarm device connecting to the relay would sent alert for quick trouble shooting on the scene. Hardware adopts fanless, low power consumption, wide temperature and voltage design and has passed rigorous industrial standard tests, which can suit for the industrial scene environment with harsh requirements for EMC. It can be widely used in various situations like industrial control, process control, traffic control and intelligent residential district, and particularly applicable to bank, electricity, departments and systems that have special requirements relating to electromagnetic interference environment.

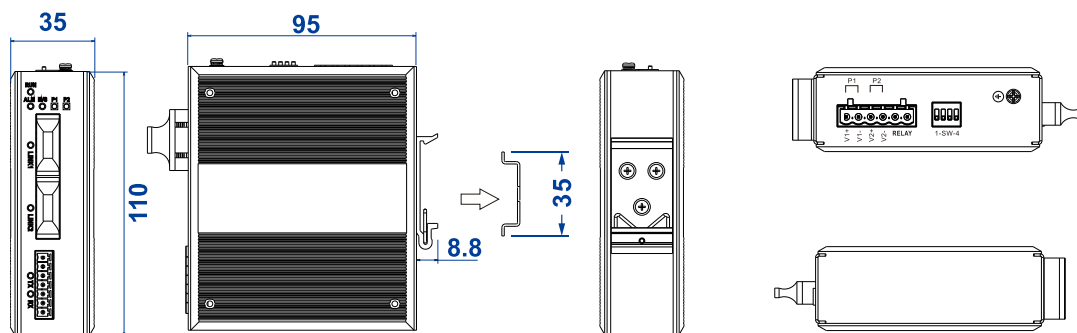
Features and Benefits

Unit:mm

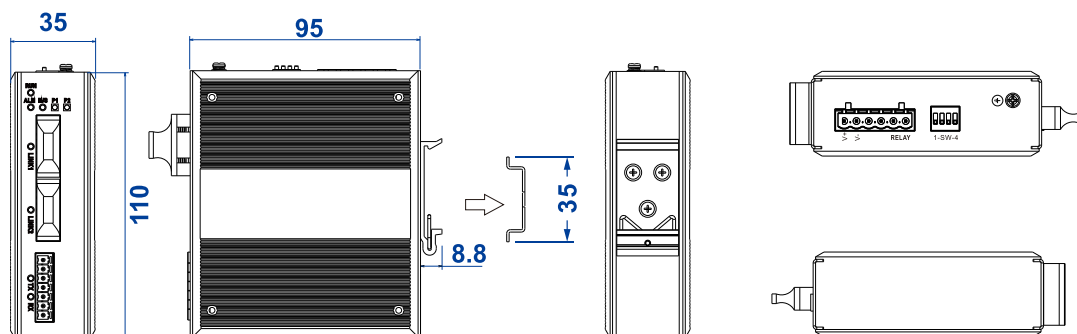
- IMF2100-1F-1DI(3IN1)-TB-P(12-48VDC), IMF2100-1F-1DI(3IN1)-TB-P(85-265VAC)



- IMF2100-2F-1DI(3IN1)-TB-2P(12-48VDC)



● IMF2100-2F-1DI(3IN1)-TB-P(110-370VDC), IMF2100-2F-1DI(3IN1)-TB-P(85-265VAC)



Specification

Fiber Port	<p>Interface quantity: 1/2 (support ring network)</p> <p>Fiber port: optional SC/FC/ST interface</p> <p>Transmission distance:</p> <ul style="list-style-type: none"> ● Multimode: 2km ● Single mode: 20/40/60km <p>Transmission wavelength:</p> <ul style="list-style-type: none"> ● Multimode: 1310nm ● Single mode: 1310nm or 1550nm
------------	---

Serial Port

Standard: EIA RS-232C, RS-485, RS-422

Serial port: 1 RS-232/485/422 serial port, can't be used simultaneously

RS-232 signal: RXD, TXD, GND

RS-485 signal: D+, D-, GND

RS-422 signal: T+, T-, GND, R+, R-

Baud rate: 300~115200bps

Data bit: 5bit, 6bit, 7bit, 8bit

Stop bit: 1bit, 1.5bit, 2bit

Check bit: None, Even, Odd, Space, Mark

Interface type: 7-pin 3.81mm pitch terminal block

Direction control: RS-485 adopts automatic data flow control technology

Load capacity: RS-485 supports 32-point polling environment (128-point could be customized)

RS-485 pull up/down resistor: 4.7kΩ

RS-485 terminal resistance: built-in 120Ω, could be controlled by DIP switch

Transmission distance: RS-232 serial port, 15m ;

RS-485/422 serial port, 1200m

Relay

Relay quantity: 1 relay alarm output

Connection method: 6-pin 5.08mm pitch terminal block(relay occupies 2 pins)

Current load: 1A@30VDC, 0.3A@125VAC

Default relay status: normally open

LED Indicator

Power Supply Indicator, Fiber Port Connection Indicator, Master/Slave Indicator, Alarm Indicator, Serial Port Data Receiving Indicator, Serial Port Data Sending Indicator

Power Requirement

Support four optional power solutions, 12~48VDC (single power supply), 12~48VDC (dual power supply), 110~370VDC or 85~265VAC

Solution 1

- Power supply range: 12~48VDC
- Connection method: 6-pin 5.08mm pitch terminal blocks (power supply occupies 4 pins)
- Power supply protection: built-in 2.0A over-current protection and non-polarity
- Power supply redundancy: support

Solution 2

- Power supply range: 12~48VDC
- Connection method: 6-pin 5.08mm pitch terminal blocks (power supply occupies 2 pins)
- Power supply protection: built-in 2.0A over-current protection and non-polarity

Solution 3

- Power supply range: 110~370VDC
- Connection method: 6-pin 5.08mm pitch terminal blocks (power supply occupies 2 pins)
- Power supply protection: built-in 2.0A over-current protection and non-polarity

	<p>Solution 4</p> <ul style="list-style-type: none">● Power supply range: 85~265VAC● Connection method: 6-pin 5.08mm pitch terminal blocks (power supply occupies 2 pins)● Power supply protection: built-in 2.0A over-current protection
Power Consumption	<p>No-load: $\leq 3.0W@24VDC$ Full-load: $\leq 3.4W@24VDC$</p>
Environmental Limit	<p>Operating temperature: $-40\sim 75^{\circ}C$ Storage temperature: $-40\sim 85^{\circ}C$ Relative humidity: 5% ~ 95%(no condensation)</p>
Physical Characteristic	<p>Housing: IP40 protection, metal Installation: DIN-Rail mounting Weight: $\leq 360g$ Dimension (W x H x D): 35mmx110mmx95mm</p>
Industrial Standard	<p>IEC 60950-1 / EN 60950-1: Safety EN 55032: Conducted & Radiated Disturbances IEC 61000-3-2 Harmonic Current Emission IEC 61000-3-3 Voltage Fluctuation & Flicker EN 55024 IEC 61000-4-2 IEC 61000-4-3 IEC 61000-4-4 IEC 61000-4-5 IEC 61000-4-6 IEC 61000-4-8 IEC 61000-4-11</p>
Certification	<p>CE, FCC, RoHS</p>

Ordering Information

Available Models	Fiber Port	RS-232/485/422	Power Supply
IMF2100-1F-1DI(3IN1)-TB-P(12-48VDC)	1	1	12~48VDC (single power supply)
IMF2100-2F-1DI(3IN1)-TB-2P(12-48VDC)	2	1	12~48VDC (dual power supply)
IMF2100-2F-1DI(3IN1)-TB-P(110-370VDC)	2	1	110~370VDC
IMF2100-1F-1DI(3IN1)-TB-P(85-265VAC)	1	1	85~265VAC
IMF2100-2F-1DI(3IN1)-TB-P(85-265VAC)	2	1	



Address: 3/B, Zone 1, Baiwangxin High Technology Industrial Park, Song Bai Road, Nanshan District, Shenzhen, 518108, China

TEL.: +86-755-26702668 ext 835 FAX: +86-755-26703485

E-mail: ics@3onedata.com

Website: www.3onedata.com

◀ Please scan our QR code for more details

*Product pictures and technical data in this datasheet are only for reference. Updates are subject to change without prior notice. The final interpretation right is reserved by 3onedata.